

PG型电缆固定头

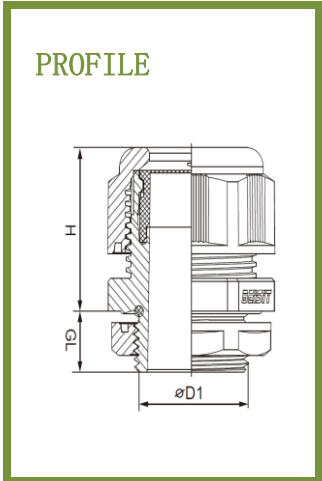
PG Type Nylon Cable Glands

→ PG



材料: 采用UL认可的尼龙材料
 防水圈: 丁腈橡胶, (可定制耐候橡胶)
 O型圈: 耐候橡胶
 工作温度: 静态-40℃至100℃
 或瞬间可耐热至120℃
 动态-20℃至80℃
 或瞬间可耐热至100℃
 颜色种类: 灰色、黑色, 其他颜色可定做

Material: PA(NYLON),UL94V-2
 Hermetic seal: NBR,(EPDM Upon Request)
 O-Ring: EPDM
 Working temperature: -40℃ to 100℃ in static state
 Instantaneous heat resistance up to 120℃
 -20℃ to 80℃ in dynamic state
 Instantaneous heat resistance up to 100℃
 Color: Grey,Black,other colors customized



Thread ΦD1	线径 mm	H mm	GL mm	扳手 mm	GC No. grey	GC No. black
PG7	3-6.5	21	8	15	GC-P0707	GC-P0707B
PG7	2-5	21	8	15	GC-P0705	GC-P0705B
PG9	4-8	22	8	19	GC-P0908	GC-P0908B
PG9	2-6	22	8	19	GC-P0906	GC-P0906B
PG11	5-10	25	8	22	GC-P1110	GC-P1110B
PG11	3-7	25	8	22	GC-P1107	GC-P1107B
PG13.5	6-12	27	9	24	GC-P13512	GC-P13512B
PG13.5	5-9	27	9	24	GC-P13509	GC-P13509B
PG16	10-14	28	10	27	GC-P1614	GC-P1614B
PG16	7-12	28	10	27	GC-P1612	GC-P1612B
PG21	13-18	31	11	33	GC-P2118	GC-P2118B
PG21	9-16	31	11	33	GC-P2116	GC-P2116B
PG29	18-25	39	11	42	GC-P2925	GC-P2925B
PG29	13-20	39	11	42	GC-P2920	GC-P2920B
PG36	22-32	48	13	53	GC-P3632	GC-P3632B
PG36	20-26	48	13	53	GC-P3626	GC-P3626B
PG42	32-38	49	13	60	GC-P4238	GC-P4238B
PG42	25-31	49	13	60	GC-P4231	GC-P4231B
PG48	37-44	49	14	65	GC-P4844	GC-P4844B
PG48	29-35	49	14	65	GC-P4835	GC-P4835B
PG48	25-30.5	49	14	65	GC-P4830	GC-P4830B
PG48	30.5-40	49	14	65	GC-P4840	GC-P4840B



PG加长型电缆固定头

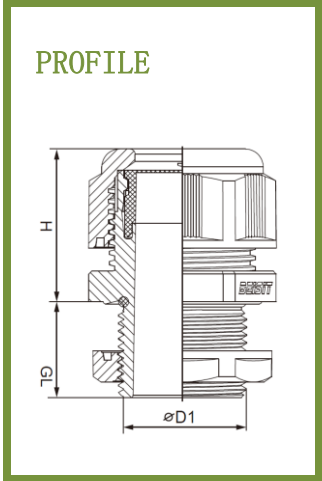
PG-length Type Nylon Cable Glands

→ PG-Length



材料: 采用UL认可的尼龙材料
 防水圈: 丁腈橡胶, (可定制耐候橡胶)
 O型圈: 耐候橡胶
 工作温度: 静态-40℃至100℃
 或瞬间可耐热至120℃
 动态-20℃至80℃
 或瞬间可耐热至100℃
 颜色种类: 灰色、黑色, 其他颜色可定做

Material: PA(NYLON),UL94V-2
 Hermetic seal: NBR,(EPDM Upon Request)
 O-Ring: EPDM
 Working temperature: -40℃ to 100℃ in static state
 Instantaneous heat resistance up to 120℃
 -20℃ to 80℃ in dynamic state
 Instantaneous heat resistance up to 100℃
 Color: Grey,Black,other colors customized



Thread ΦD1	线径 mm	H mm	GL mm	扳手 mm	GC No. grey	GC No. black
PG7	3-6.5	21	15	15	GC-P0707L	GC-P0707BL
PG7	2-5	21	15	15	GC-P0705L	GC-P0705BL
PG9	4-8	22	15	19	GC-P0908L	GC-P0908BL
PG9	2-6	22	15	19	GC-P0906L	GC-P0906BL
PG11	5-10	25	15	22	GC-P1110L	GC-P1110BL
PG11	3-7	25	15	22	GC-P1107L	GC-P1107BL
PG13.5	6-12	27	15	24	GC-P13512L	GC-P13512BL
PG13.5	5-9	27	15	24	GC-P13509L	GC-P13513BL
PG16	10-14	28	15	27	GC-P1614L	GC-P13514BL
PG16	7-12	28	15	27	GC-P1612L	GC-P13515BL
PG21	13-18	31	15	33	GC-P2118L	GC-P13516BL
PG21	9-16	31	15	33	GC-P2116L	GC-P13517BL
PG29	18-25	39	15	42	GC-P2925L	GC-P13518BL
PG29	13-20	39	15	42	GC-P2920L	GC-P13519BL
PG36	22-32	48	18	53	GC-P3632L	GC-P13520BL
PG36	20-26	48	18	53	GC-P3626L	GC-P13521BL
PG42	32-38	49	18	60	GC-P4238L	GC-P13522BL
PG42	25-31	49	18	60	GC-P4231L	GC-P13523BL
PG48	37-44	49	18	65	GC-P4844L	GC-P13524BL
PG48	29-35	49	18	65	GC-P4835L	GC-P13525BL
PG48	25-30.5	49	18	65	GC-P4830L	GC-P13526BL
PG48	30.5-40	49	18	65	GC-P4840L	GC-P13527BL



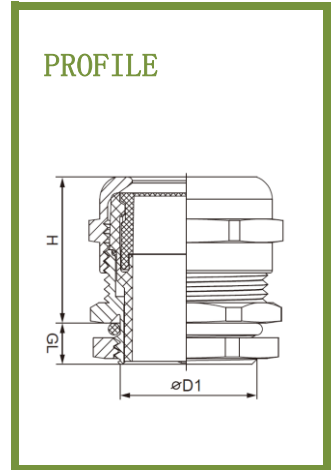
PG型金属电缆固定头

PG Type Metal Cable Glands

→ PG



材料:	镀镍黄铜	Material:	Nickel-plated brass
固定连接组件:	采用UL认可的尼龙材料	Fixture pack:	PA(NYLON),UL94V-2
防水圈:	丁腈橡胶,(可定制耐候橡胶)	Hermetic seal:	NBR,(EPDM Upon Request)
O型圈:	耐候橡胶	O-Ring:	EPDM
保护等级:	IP68-10 压力(旋转位置)	Protection degree:	IP68-10 pressure (Rotary position)
工作温度:	-40℃至100℃ 或瞬间可耐热至120℃	Working temperature:	-40℃ to 100℃ Instantaneous heat resistance up to 120℃



Thread ΦD1	线径 mm	H mm	GL mm	扳手 mm	GC No.
PG7	3-6.5	19	5	14	GC-P0707NR
PG7	2-5	19	5	14	GC-P0705NR
PG9	4-8	21	6	17	GC-P0908NR
PG9	2-6	21	6	17	GC-P0906NR
PG11	5-10	22	6	20	GC-P1110NR
PG11	3-7	22	6	20	GC-P1107NR
PG13.5	6-12	23	6.5	22	GC-P13512NR
PG13.5	5-9	23	6.5	22	GC-P13509NR
PG16	10-14	24	6.5	24	GC-P1614NR
PG16	7-12	24	6.5	24	GC-P1612NR
PG21	13-18	25	7	30	GC-P2118NR
PG21	9-16	25	7	30	GC-P2116NR
PG29	18-25	31	8	40	GC-P2925NR
PG29	13-20	31	8	40	GC-P2920NR
PG36	22-32	37	8	50	GC-P3632NR
PG36	20-26	37	8	50	GC-P3626NR
PG42	32-38	37	9	57	GC-P4238NR
PG42	25-31	37	9	57	GC-P4231NR
PG48	37-44	38	10	64	GC-P4844NR
PG48	29-35	38	10	64	GC-P4835NR



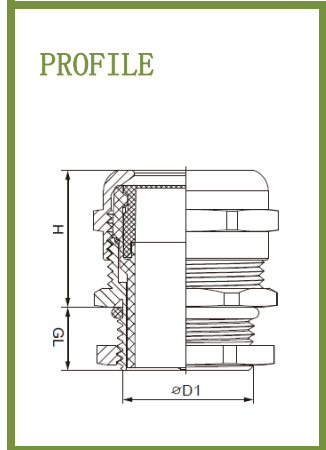
PG加长型金属电缆固定头

PG-Length Type Metal Cable Glands

→ PG-Length



材料:	镀镍黄铜	Material:	Nickel-plated brass
固定连接组件:	采用UL认可的尼龙材料	Fixture pack:	PA(NYLON),UL94V-2
防水圈:	丁腈橡胶,(可定制耐候橡胶)	Hermetic seal:	NBR,(EPDM Upon Request)
O型圈:	耐候橡胶	O-Ring:	EPDM
保护等级:	IP68-10 压力(旋转位置)	Protection degree:	IP68-10 pressure (Rotary position)
工作温度:	-40℃至100℃ 或瞬间可耐热至120℃	Working temperature:	-40℃ to 100℃ Instantaneous heat resistance up to 120℃



Thread ΦD1	线径 mm	H mm	GL mm	扳手 mm	GC No.
PG7	3-6.5	19	10	14	GC-P0707NRL
PG7	2-5	19	10	14	GC-P0705NRL
PG9	4-8	21	10	17	GC-P0908NRL
PG9	2-6	21	10	17	GC-P0906NRL
PG11	5-10	22	10	20	GC-P1110NRL
PG11	3-7	22	10	20	GC-P1107NRL
PG13.5	6-12	23	10	22	GC-P13512NRL
PG13.5	5-9	23	10	22	GC-P13509NRL
PG16	10-14	24	10	24	GC-P1614NRL
PG16	7-12	24	10	24	GC-P1612NRL
PG21	13-18	25	12	30	GC-P2118NRL
PG21	9-16	25	12	30	GC-P2116NRL
PG29	18-25	31	12	40	GC-P2925NRL
PG29	13-20	31	12	40	GC-P2920NRL
PG36	22-32	37	15	50	GC-P3632NRL
PG36	20-26	37	15	50	GC-P3626NRL
PG42	32-38	37	15	57	GC-P4238NRL
PG42	25-31	37	15	57	GC-P4231NRL
PG48	37-44	38	15	64	GC-P4844NRL
PG48	29-35	38	15	64	GC-P4835NRL



加强PG型金属电缆固定头

PG Metal Cable Gland-Reinforced Type

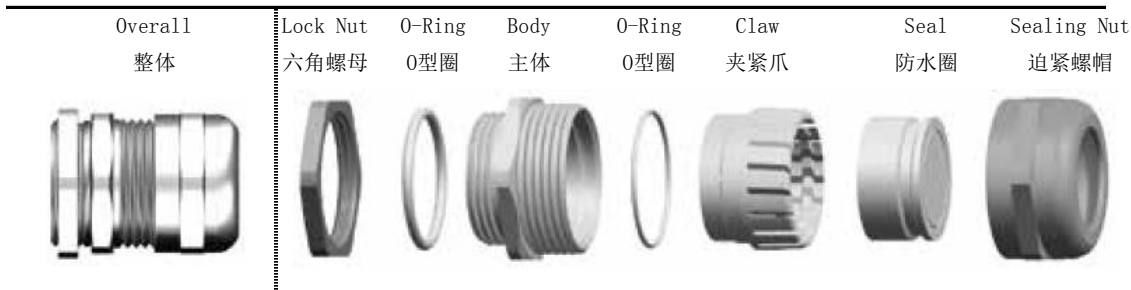
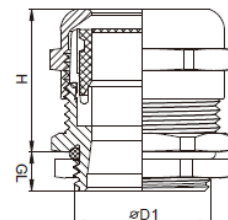
→ PG

CE IP68 RoHS REACH



材料:	镀镍黄铜	Material:	Nickel-plated brass
固定连接组件:	采用UL认可的尼龙材料	Fixture pack:	PA(NYLON),UL94V-2
防水圈:	丁腈橡胶,(可定制耐候橡胶)	Hermetic seal:	NBR,(EPDM Upon Request)
O型圈:	耐候橡胶	O-Ring:	EPDM
保护等级:	IP68-10 压力(旋转位置)	Protection degree:	IP68-10 pressure (Rotary position)
工作温度:	-40℃至100℃ 或瞬间可耐热至120℃	Working temperature:	-40℃ to 100℃ Instantaneous heat resistance up to 120℃

PROFILE



Thread ΦD1	线径 mm	H mm	GL mm	扳手 mm	GC No.
PG7	3-6.5	19	5	14	GC-P0707NR-R
PG7	2-5	19	5	14	GC-P0705NR-R
PG9	4-8	21	6	17	GC-P0908NR-R
PG9	2-6	21	6	17	GC-P0906NR-R
PG11	5-10	22	6	20	GC-P1110NR-R
PG11	3-7	22	6	20	GC-P1107NR-R
PG13.5	6-12	23	6.5	22	GC-P13512NR-R
PG13.5	5-9	23	6.5	22	GC-P13509NR-R
PG16	10-14	24	6.5	24	GC-P1614NR-R
PG16	7-12	24	6.5	24	GC-P1612NR-R
PG21	13-18	25	7	30	GC-P2118NR-R
PG21	9-16	25	7	30	GC-P2116NR-R
PG29	18-25	31	8	40	GC-P2925NR-R
PG29	13-20	31	8	40	GC-P2920NR-R
PG36	22-32	37	8	50	GC-P3632NR-R
PG36	20-26	37	8	50	GC-P3626NR-R
PG42	32-38	37	9	57	GC-P4238NR-R
PG42	25-31	37	9	57	GC-P4231NR-R
PG48	37-44	38	10	64	GC-P4844NR-R
PG48	29-35	38	10	64	GC-P4835NR-R



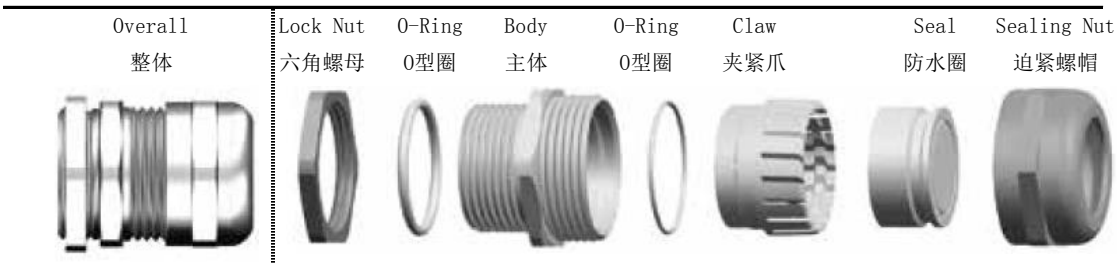
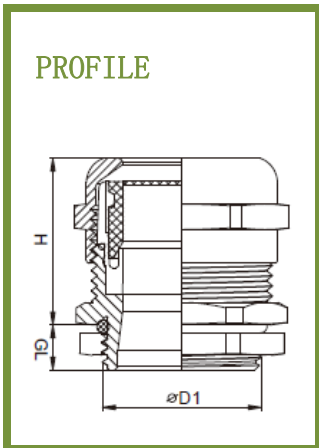
加强型PG加长型金属电缆固定头

PG-Length Metal Cable Gland-Reinforced Type

→ PG-Length



材料:	镀镍黄铜	Material:	Nickel-plated brass
固定连接组件:	采用UL认可的尼龙材料	Fixture pack:	PA(NYLON),UL94V-2
防水圈:	丁腈橡胶,(可定制耐候橡胶)	Hermetic seal:	NBR,(EPDM Upon Request)
O型圈:	耐候橡胶	O-Ring:	EPDM
保护等级:	IP68-10 压力(旋转位置)	Protection degree:	IP68-10 pressure (Rotary position)
工作温度:	-40℃至100℃ 或瞬间可耐热至120℃	Working temperature:	-40℃ to 100℃ Instantaneous heat resistance up to 120℃



Thread ΦD1	线径 mm	H mm	GL mm	扳手 mm	GC No.
PG7	3-6.5	19	10	14	GC-P0707NRL-R
PG7	2-5	19	10	14	GC-P0705NRL-R
PG9	4-8	21	10	17	GC-P0908NRL-R
PG9	2-6	21	10	17	GC-P0906NRL-R
PG11	5-10	22	10	20	GC-P1110NRL-R
PG11	3-7	22	10	20	GC-P1107NRL-R
PG13.5	6-12	23	10	22	GC-P13512NRL-R
PG13.5	5-9	23	10	22	GC-P13509NRL-R
PG16	10-14	24	10	24	GC-P1614NRL-R
PG16	7-12	24	10	24	GC-P1612NRL-R
PG21	13-18	25	12	30	GC-P2118NRL-R
PG21	9-16	25	12	30	GC-P2116NRL-R
PG29	18-25	31	12	40	GC-P2925NRL-R
PG29	13-20	31	12	40	GC-P2920NRL-R
PG36	22-32	37	15	50	GC-P3632NRL-R
PG36	20-26	37	15	50	GC-P3626NRL-R
PG42	32-38	37	15	57	GC-P4238NRL-R
PG42	25-31	37	15	57	GC-P4231NRL-R
PG48	37-44	38	15	64	GC-P4844NRL-R
PG48	29-35	38	15	64	GC-P4835NRL-R



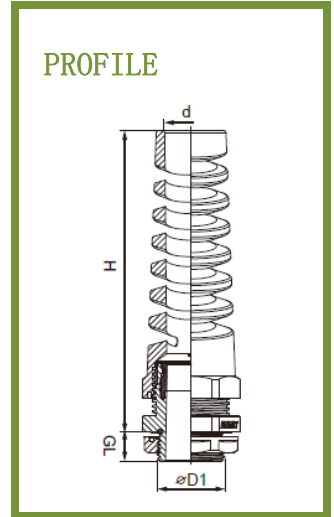
PG/PG加长型防折弯电缆固定头

PG/PG-Length Nylon Cable Glands with Strain Relief

→ PG/PG-Length



材料:	采用UL认可的尼龙材料	Material:	PA(NYLON),UL94V-2
防水圈:	丁腈橡胶, (可定制耐候橡胶)	Hermetic seal:	NBR,(EPDM Upon Request)
O型圈:	耐候橡胶	O-Ring:	EPDM
工作温度:	静态-40℃至100℃ 或瞬间可耐热至120℃ 动态-20℃至80℃ 或瞬间可耐热至100℃	Working temperature:	-40℃ to 100℃ in static state Instantaneous heat resistance up to 120℃ -20℃ to 80℃ in dynamic state Instantaneous heat resistance up to 100℃
颜色种类:	灰色、黑色, 其他颜色可定做	Color:	Grey,Black,other colors customized



Thread ΦD1	线径 mm	H mm	GL mm	d mm	扳手 mm	GC No. grey	GC No. black
PG7	3-6.5	54	8	7	15/16	GC-P0707SR	GC-P0707SRB
PG7	2-5	54	8	7	15/16	GC-P0705SR	GC-P0705SRB
PG9	4-8	63	8	8.5	19	GC-P0908SR	GC-P0908SRB
PG9	2-6	63	8	8.5	19	GC-P0906SR	GC-P0906SRB
PG11	5-10	78	8	10.5	22	GC-P1110SR	GC-P1110SRB
PG11	3-7	78	8	10.5	22	GC-P1107SR	GC-P1107SRB
PG13.5	6-12	90	9	13	24	GC-P13512SR	GC-P13512SRB
PG13.5	5-9	90	9	13	24	GC-P13509SR	GC-P13509SRB
PG16	10-14	100	10	15.5	27	GC-P1614SR	GC-P1614SRB
PG16	7-12	100	10	15.5	27	GC-P1612SR	GC-P1612SRB
PG21	13-18	114	11	20	33	GC-P2118SR	GC-P2118SRB
PG21	9-16	114	11	20	33	GC-P2116SR	GC-P2116SRB
PG7	3-6.5	54	15	7	15/16	GC-P0705SRL	GC-P0705SRBL
PG7	2-5	54	15	7	15/16	GC-P0908SRL	GC-P0908SRBL
PG9	4-8	63	15	8.5	19	GC-P0906SRL	GC-P0906SRBL
PG9	2-6	63	15	8.5	19	GC-P1110SRL	GC-P1110SRBL
PG11	5-10	78	15	10.5	22	GC-P1107SRL	GC-P1107SRBL
PG11	3-7	78	15	10.5	22	GC-P13512SRL	GC-P13512SRBL
PG13.5	6-12	90	15	13	24	GC-P13509SRL	GC-P13509SRBL
PG13.5	5-9	90	15	13	24	GC-P1614SRL	GC-P1614SRBL
PG16	10-14	100	15	15.5	27	GC-P1612SRL	GC-P1612SRBL
PG16	7-12	100	15	15.5	27	GC-P2118SRL	GC-P2118SRBL
PG21	13-18	114	15	20	33	GC-P2116SRL	GC-P2116SRBL
PG21	9-16	114	15	20	33	GC-P2118SRL	GC-P2118SRBL



颜色定制

Color Customization

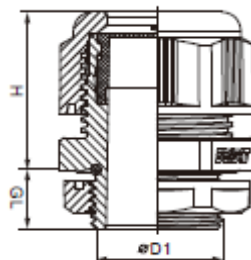
→ PG/M/NPT/MG/G(PF)



材料: 采用UL认可的尼龙材料
 防水圈: 丁腈橡胶, (可定制耐候橡胶)
 O型圈: 耐候橡胶
 工作温度: 静态-40℃至100℃
 或瞬间可耐热至120℃
 动态-20℃至80℃
 或瞬间可耐热至100℃
 颜色种类: 灰色、黑色, 其他颜色可定做

Material: PA(NYLON),UL94V-2
 Hermetic seal: NBR,(EPDM Upon Request)
 O-Ring: EPDM
 Working temperature: -40℃ to 100℃ in static state
 Instantaneous heat resistance up to 120℃
 -20℃ to 80℃ in dynamic state
 Instantaneous heat resistance up to 100℃
 Color: Grey,Black,other colors customized

PROFILE



Overall
整体



Lock Nut
六角螺母



O-Ring
O型圈



Body
主体



Seal
防水圈



Sealing Nut
迫紧螺帽



颜色定制

Color Customization

可为客户特殊定制其他颜色 Other colors could be customized

灰色RAL7035

银灰RAL7001

黑色RAL9005

白色RAL9003

蓝色RAL5012

红色RAL3020

黄色RAL1026

绿色RAL6032



M型电缆固定头

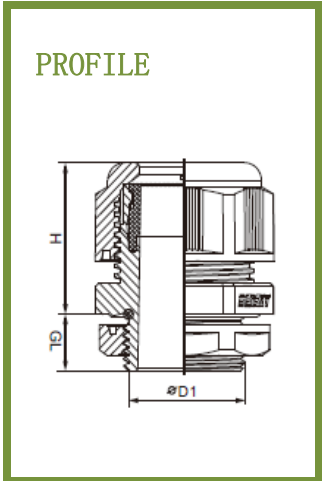
M Type Nylon Cable Glands

→ M



材料: 采用UL认可的尼龙材料
 防水圈: 丁腈橡胶, (可定制耐候橡胶)
 O型圈: 耐候橡胶
 工作温度: 静态-40℃至100℃
 或瞬间可耐热至120℃
 动态-20℃至80℃
 或瞬间可耐热至100℃
 颜色种类: 灰色、黑色, 其他颜色可定做

Material: PA(NYLON),UL94V-2
 Hermetic seal: NBR,(EPDM Upon Request)
 O-Ring: EPDM
 Working temperature: -40℃ to 100℃ in static state
 Instantaneous heat resistance up to 120℃
 -20℃ to 80℃ in dynamic state
 Instantaneous heat resistance up to 100℃
 Color: Grey,Black,other colors customized



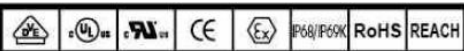
Thread ΦD1	线径 mm	H mm	GL mm	扳手 mm	GC No. grey	GC No. black
M12×1.5	3-6.5	21	8	15	GC-M1207	GC-M1207B
M12×1.5	2-5	21	8	15	GC-M1205	GC-M1205B
M16×1.5	4-8	22	8	19	GC-M1608	GC-M1608B
M16×1.5	2-6	22	8	19	GC-M1606	GC-M1606B
M16×1.5	5-10	25	8	22	GC-M1610	GC-M1610B
M20×1.5	6-12	27	8	24	GC-M2012	GC-M2012B
M20×1.5	5-9	27	9	24	GC-M2009	GC-M2009B
M20×1.5	10-14	28	9	27	GC-M2014	GC-M2014B
M24×1.5	10-14	28	12	27	GC-M2414	GC-M2414B
M25×1.5	13-18	31	11	33	GC-M2518	GC-M2518B
M25×1.5	9-16	31	11	33	GC-M2516	GC-M2516B
M32×1.5	18-25	39	11	42	GC-M3225	GC-M3225B
M32×1.5	13-20	39	11	42	GC-M3220	GC-M3220B
M40×1.5	22-32	48	13	53	GC-M4032	GC-M4032B
M40×1.5	20-26	48	13	53	GC-M4026	GC-M4026B
M40×1.5	23-33.5	48	13	53	GC-M4033	GC-M4033B
M50×1.5	32-38	49	13	60	GC-M5038	GC-M5038B
M50×1.5	25-31	49	13	60	GC-M5031	GC-M5031B
M63×1.5	37-44	49	14	65/68	GC-M6344	GC-M6344B
M63×1.5	29-35	49	14	65/68	GC-M6335	GC-M6335B
M63×1.5	25-30.5	49	14	65/68	GC-M6330	GC-M6330B
M63×1.5	30.5-40	49	14	65/68	GC-M6340	GC-M6340B
M75×2	48-56	69	25	82	GC-M7556	GC-M7556B



M加长型电缆固定头

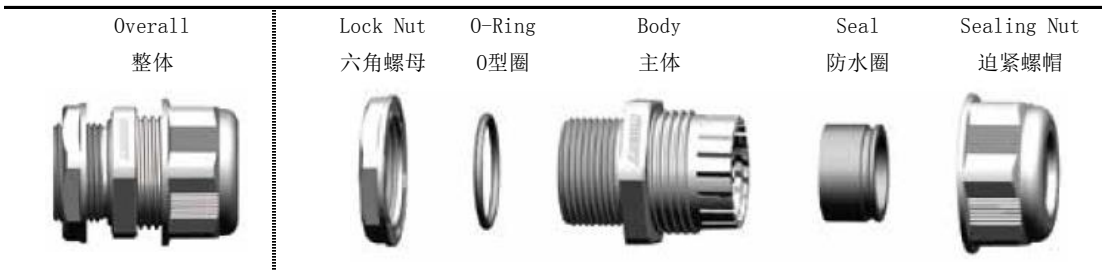
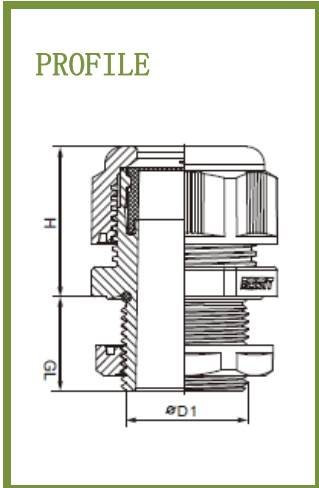
M-length Nylon Cable Glands

→ M-Length



材料: 采用UL认可的尼龙材料
 防水圈: 丁腈橡胶, (可定制耐候橡胶)
 O型圈: 耐候橡胶
 工作温度: 静态-40℃至100℃
 或瞬间可耐热至120℃
 动态-20℃至80℃
 或瞬间可耐热至100℃
 颜色种类: 灰色、黑色, 其他颜色可定做

Material: PA(NYLON),UL94V-2
 Hermetic seal: NBR,(EPDM Upon Request)
 O-Ring: EPDM
 Working temperature: -40℃ to 100℃ in static state
 Instantaneous heat resistance up to 120℃
 -20℃ to 80℃ in dynamic state
 Instantaneous heat resistance up to 100℃
 Color: Grey,Black,other colors customized



Thread ΦD1	线径 mm	H mm	GL mm	扳手 mm	GC No. grey	GC No. black
M12×1.5	3-6.5	21	15	15	GC-M1207L	GC-M1207BL
M12×1.5	2-5	21	15	15	GC-M1205L	GC-M1205BL
M16×1.5	4-8	22	15	19	GC-M1608L	GC-M1608BL
M16×1.5	2-6	22	15	19	GC-M1606L	GC-M1606BL
M16×1.5	5-10	25	15	22	GC-M1610L	GC-M1610BL
M20×1.5	6-12	27	15	24	GC-M2012L	GC-M2012BL
M20×1.5	5-9	27	15	24	GC-M2009L	GC-M2009BL
M20×1.5	10-14	28	15	27	GC-M2014L	GC-M2014BL
M24×1.5	10-14	28	15	27	GC-M2414L	GC-M2414BL
M25×1.5	13-18	31	15	33	GC-M2518L	GC-M2518BL
M25×1.5	9-16	31	15	33	GC-M2516L	GC-M2516BL
M32×1.5	18-25	39	15	42	GC-M3225L	GC-M3225BL
M32×1.5	13-20	39	15	42	GC-M3220L	GC-M3220BL
M40×1.5	22-32	48	18	53	GC-M4032L	GC-M4032BL
M40×1.5	20-26	48	18	53	GC-M4026L	GC-M4026BL
M40×1.5	23-33.5	48	18	53	GC-M4033L	GC-M4033BL
M50×1.5	32-38	49	18	60	GC-M5038L	GC-M5038BL
M50×1.5	25-31	49	18	60	GC-M5031L	GC-M5031BL
M63×1.5	37-44	49	18	65/68	GC-M6344L	GC-M6344BL
M63×1.5	29-35	49	18	65/68	GC-M6335L	GC-M6335BL
M63×1.5	25-30.5	49	18	65/68	GC-M6330L	GC-M6330BL
M63×1.5	30.5-40	49	18	65/68	GC-M6340L	GC-M6340BL



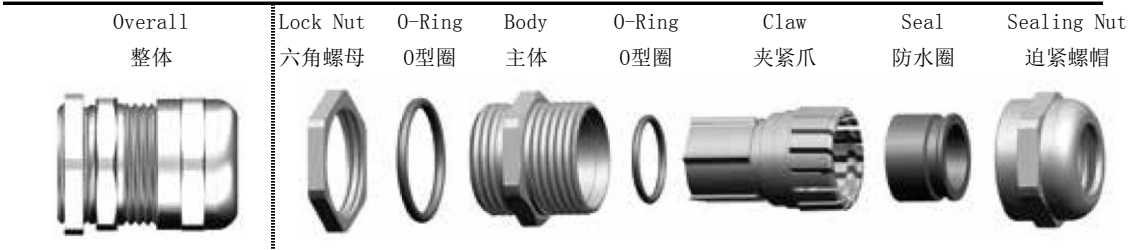
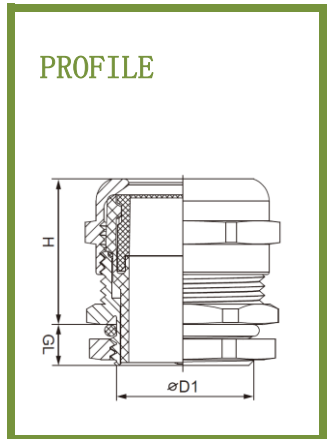
M型金属电缆固定头

M Type Metal Cable Glands

→ M



材料:	镀镍黄铜	Material:	Nickel-plated brass
固定连接组件:	采用UL认可的尼龙材料	Fixture pack:	PA(NYLON),UL94V-2
防水圈:	丁腈橡胶,(可定制耐候橡胶)	Hermetic seal:	NBR,(EPDM Upon Request)
O型圈:	耐候橡胶	O-Ring:	EPDM
保护等级:	IP68-10 压力(旋转位置)	Protection degree:	IP68-10 pressure (Rotary position)
工作温度:	-40℃至100℃ 或瞬间可耐热至120℃	Working temperature:	-40℃ to 100℃ Instantaneous heat resistance up to 120℃



Thread ΦD1	线径 mm	H mm	GL mm	扳手 mm	GC No.
M12×1.5	3-6.5	19	6.5	14	GC-M1207NR
M12×1.5	2-5	19	6.5	14	GC-M1205NR
M16×1.5	4-8	21	6	19	GC-M1608NR
M16×1.5	2-6	21	6	19	GC-M1606NR
M16×1.5	5-10	22	6	20	GC-M1610NR
M20×1.5	6-12	23	6	22	GC-M2012NR
M20×1.5	5-9	23	6	22	GC-M2009NR
M20×1.5	10-14	24	6	24	GC-M2014NR
M25×1.5	13-18	25	7	30	GC-M2518NR
M25×1.5	9-16	25	7	30	GC-M2516NR
M32×1.5	18-25	31	8	40	GC-M3225NR
M32×1.5	13-20	31	8	40	GC-M3220NR
M40×1.5	22-32	37	8	50	GC-M4032NR
M40×1.5	20-26	37	8	50	GC-M4026NR
M50×1.5	32-38	37	9	57	GC-M5038NR
M50×1.5	25-31	37	9	57	GC-M5031NR
M63×1.5	37-44	38	10	68	GC-M6344NR
M63×1.5	29-35	38	10	68	GC-M6335NR
★非常规螺纹					
★M18×1.5	5-10	22	6	20	GC-M1810NR
★M18×1.5	3-7	22	6	20	GC-M1807NR
★M22×1.5	10-14	24	6	24	GC-M2214NR
★M22×1.5	7-12	24	6	24	GC-M2212NR
★M27×1.5	13-18	25	7	30	GC-M2718NR
★M27×1.5	9-16	25	7	30	GC-M2716NR



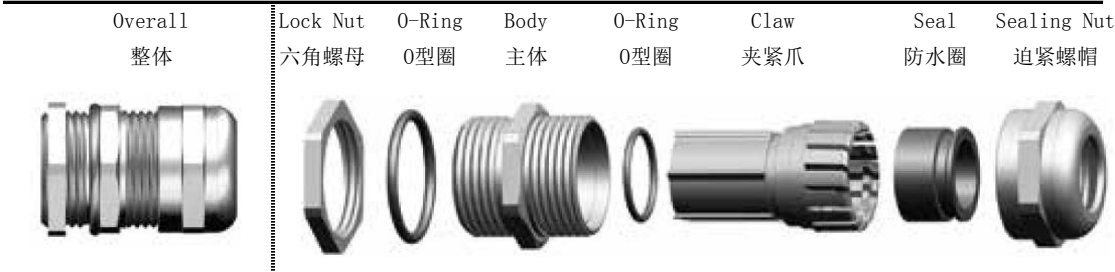
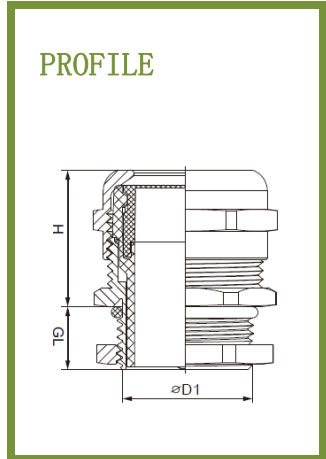
M加长型金属电缆固定头

M-Length Type Metal Cable Glands

→ M-Length



材料:	镀镍黄铜	Material:	Nickel-plated brass
固定连接组件:	采用UL认可的尼龙材料	Fixture pack:	PA(NYLON),UL94V-2
防水圈:	丁腈橡胶,(可定制耐候橡胶)	Hermetic seal:	NBR,(EPDM Upon Request)
O型圈:	耐候橡胶	O-Ring:	EPDM
保护等级:	IP68-10 压力(旋转位置)	Protection degree:	IP68-10 pressure (Rotary position)
工作温度:	-40℃至100℃ 或瞬间可耐热至120℃	Working temperature:	-40℃ to 100℃ Instantaneous heat resistance up to 120℃



Thread ΦD1	线径 mm	H mm	GL mm	扳手 mm	GC No.
M12×1.5	3-6.5	19	10	14	GC-M1207NRL
M12×1.5	2-5	19	10	14	GC-M1205NRL
M16×1.5	4-8	21	10	19	GC-M1608NRL
M16×1.5	2-6	21	10	19	GC-M1606NRL
M16×1.5	5-10	22	10	20	GC-M1610NRL
M20×1.5	6-12	23	10	22	GC-M2012NRL
M20×1.5	5-9	23	10	22	GC-M2009NRL
M20×1.5	10-14	24	10	24	GC-M2014NRL
M25×1.5	13-18	25	12	30	GC-M2518NRL
M25×1.5	9-16	25	12	30	GC-M2516NRL
M32×1.5	18-25	31	12	40	GC-M3225NRL
M32×1.5	13-20	31	12	40	GC-M3220NRL
M40×1.5	22-32	37	15	50	GC-M4032NRL
M40×1.5	20-26	37	15	50	GC-M4026NRL
M50×1.5	32-38	37	15	57	GC-M5038NRL
M50×1.5	25-31	37	15	57	GC-M5031NRL
M63×1.5	37-44	38	15	68	GC-M6344NRL
M63×1.5	29-35	38	15	68	GC-M6335NRL
★非常规螺纹					
★M18×1.5	5-10	22	10	20	GC-M1810NRL
★M18×1.5	3-7	22	10	20	GC-M1807NRL
★M22×1.5	10-14	24	10	24	GC-M2214NRL
★M22×1.5	7-12	24	10	24	GC-M2212NRL
★M27×1.5	13-18	25	12	30	GC-M2718NRL
★M27×1.5	9-16	25	12	30	GC-M2716NRL



M加强型金属电缆固定头

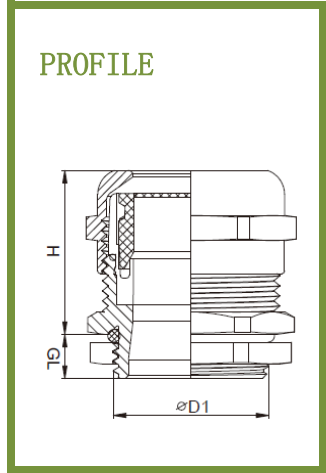
M Metal Cable Gland-Reinforced Type

→ M

CE IP68 RoHS REACH



材料:	镀镍黄铜	Material:	Nickel-plated brass
固定连接组件:	采用UL认可的尼龙材料	Fixture pack:	PA(NYLON),UL94V-2
防水圈:	丁腈橡胶,(可定制耐候橡胶)	Hermetic seal:	NBR,(EPDM Upon Request)
O型圈:	耐候橡胶	O-Ring:	EPDM
保护等级:	IP68-10 压力(旋转位置)	Protection degree:	IP68-10 pressure (Rotary position)
工作温度:	-40℃至100℃ 或瞬间可耐热至120℃	Working temperature:	-40℃ to 100℃ Instantaneous heat resistance up to 120℃



Thread ΦD1	线径 mm	H mm	GL mm	扳手 mm	GC No.
M12×1.5	3-6.5	19	6.5	14	GC-M1207NR-R
M12×1.5	2-5	19	6.5	14	GC-M1205NR-R
M16×1.5	4-8	21	6	19	GC-M1608NR-R
M16×1.5	2-6	21	6	19	GC-M1606NR-R
M16×1.5	5-10	22	6	20	GC-M1610NR-R
M20×1.5	6-12	23	6	22	GC-M2012NR-R
M20×1.5	5-9	23	6	22	GC-M2009NR-R
M20×1.5	10-14	24	6	24	GC-M2014NR-R
M25×1.5	13-18	25	7	30	GC-M2518NR-R
M25×1.5	9-16	25	7	30	GC-M2516NR-R
M32×1.5	18-25	31	8	40	GC-M3225NR-R
M32×1.5	13-20	31	8	40	GC-M3220NR-R
M40×1.5	22-32	37	8	50	GC-M4032NR-R
M40×1.5	20-26	37	8	50	GC-M4026NR-R
M50×1.5	32-38	37	9	57	GC-M5038NR-R
M50×1.5	25-31	37	9	57	GC-M5031NR-R
M63×1.5	37-44	38	10	68	GC-M6344NR-R
M63×1.5	29-35	38	10	68	GC-M6335NR-R
★非常规螺纹					
★M18×1.5	5-10	22	6	20	GC-M1810NR-R
★M18×1.5	3-7	22	6	20	GC-M1807NR-R
★M22×1.5	10-14	24	6	24	GC-M2214NR-R
★M22×1.5	7-12	24	6	24	GC-M2212NR-R
★M24×1.5	13-18	29	7	30	GC-M2418NR-R
★M24×1.5	9-16	29	7	30	GC-M2416NR-R
★M27×1.5	13-18	29	7	30	GC-M2718NR-R
★M27×1.5	9-16	29	7	30	GC-M2716NR-R



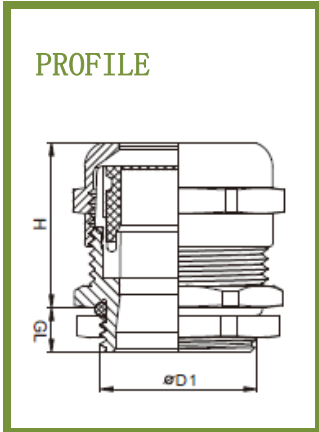
M加强型加长金属电缆固定头

M-Length Metal Cable Gland-Reinforced Type

→ M-Length



材料:	镀镍黄铜	Material:	Nickel-plated brass
固定连接组件:	采用UL认可的尼龙材料	Fixture pack:	PA(NYLON),UL94V-2
防水圈:	丁腈橡胶,(可定制耐候橡胶)	Hermetic seal:	NBR,(EPDM Upon Request)
O型圈:	耐候橡胶	O-Ring:	EPDM
保护等级:	IP68-10 压力(旋转位置)	Protection degree:	IP68-10 pressure (Rotary position)
工作温度:	-40℃至100℃ 或瞬间可耐热至120℃	Working temperature:	-40℃ to 100℃ Instantaneous heat resistance up to 120℃



Thread ΦD1	线径 mm	H mm	GL mm	扳手 mm	GC No.
M12×1.5	3-6.5	19	10	14	GC-M1207NRL-R
M12×1.5	2-5	19	10	14	GC-M1205NRL-R
M16×1.5	4-8	21	10	19	GC-M1608NRL-R
M16×1.5	2-6	21	10	19	GC-M1606NRL-R
M16×1.5	5-10	22	10	20	GC-M1610NRL-R
M20×1.5	6-12	23	10	22	GC-M2012NRL-R
M20×1.5	5-9	23	10	22	GC-M2009NRL-R
M20×1.5	10-14	24	10	24	GC-M2014NRL-R
M25×1.5	13-18	29	12	30	GC-M2518NRL-R
M25×1.5	9-16	29	12	30	GC-M2516NRL-R
M32×1.5	18-25	31	12	40	GC-M3225NRL-R
M32×1.5	13-20	31	12	40	GC-M3220NRL-R
M40×1.5	22-32	37	15	50	GC-M4032NRL-R
M40×1.5	20-26	37	15	50	GC-M4026NRL-R
M50×1.5	32-38	37	15	57	GC-M5038NRL-R
M50×1.5	25-31	37	15	57	GC-M5031NRL-R
M63×1.5	37-44	38	15	68	GC-M6344NRL-R
M63×1.5	29-35	38	15	68	GC-M6335NRL-R
★非常规螺纹					
★M18×1.5	5-10	22	10	20	GC-M1810NRL-R
★M18×1.5	3-7	22	10	20	GC-M1807NRL-R
★M22×1.5	10-14	24	10	24	GC-M2214NRL-R
★M22×1.5	7-12	24	10	24	GC-M2212NRL-R
★M24×1.5	13-18	29	12	30	GC-M2418NRL-R
★M24×1.5	9-16	29	12	30	GC-M2416NRL-R
★M27×1.5	13-18	29	12	30	GC-M2718NRL-R
★M27×1.5	9-16	29	12	30	GC-M2716NRL-R



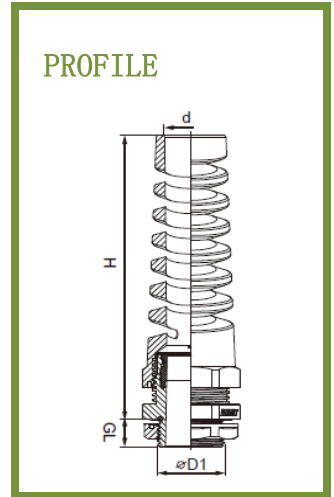
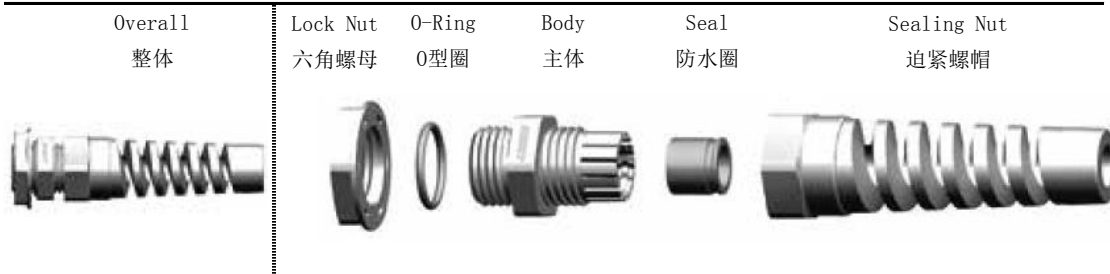
M/M加长型防折弯电缆固定头

M/M-Length Nylon Cable Glands with Strain Relief

→ M/M-Length



材料:	采用UL认可的尼龙材料	Material:	PA(NYLON),UL94V-2
防水圈:	丁腈橡胶, (可定制耐候橡胶)	Hermetic seal:	NBR,(EPDM Upon Request)
O型圈:	耐候橡胶	O-Ring:	EPDM
工作温度:	静态-40℃至100℃ 或瞬间可耐热至120℃ 动态-20℃至80℃ 或瞬间可耐热至100℃	Working temperature:	-40℃ to 100℃ in static state Instantaneous heat resistance up to 120℃ -20℃ to 80℃ in dynamic state Instantaneous heat resistance up to 100℃
颜色种类:	灰色、黑色, 其他颜色可定做	Color:	Grey,Black,other colors customized



Thread ΦD1	线径 mm	H mm	GL mm	d mm	扳手 mm	GC No. grey	GC No. black
M12×1.5	3-6.5	54	8	7	15/16	GC-M1207SR	GC-M1207SRB
M12×1.5	2-5	54	8	7	15/16	GC-M1205SR	GC-M1205SRB
M16×1.5	4-8	63	8	8.5	19	GC-M1608SR	GC-M1608SRB
M16×1.5	2-6	63	8	8.5	19	GC-M1606SR	GC-M1606SRB
M16×1.5	5-10	78	8	10.5	22	GC-M1610SR	GC-M1610SRB
M16×1.5	3-7	78	8	10.5	22	GC-M1607SR	GC-M1607SRB
M20×1.5	6-12	90	9	13	24	GC-M2012SR	GC-M2012SRB
M20×1.5	5-9	90	9	13	24	GC-M2009SR	GC-M2009SRB
M20×1.5	10-14	100	9	15.5	27	GC-M2014SR	GC-M2014SRB
M25×1.5	13-18	114	11	20	33	GC-M2518SR	GC-M2518SRB
M25×1.5	9-16	114	11	20	33	GC-M2516SR	GC-M2516SRB
M12×1.5	3-6.5	54	15	7	15/16	GC-M1207SRL	GC-M1207SRBL
M12×1.5	2-5	54	15	7	15/16	GC-M1205SRL	GC-M1205SRBL
M16×1.5	4-8	63	15	8.5	19	GC-M1608SRL	GC-M1608SRBL
M16×1.5	2-6	63	15	8.5	19	GC-M1606SRL	GC-M1606SRBL
M16×1.5	5-10	78	15	10.5	22	GC-M1610SRL	GC-M1610SRBL
M16×1.5	3-7	78	15	10.5	22	GC-M1607SRL	GC-M1607SRBL
M20×1.5	6-12	90	15	13	24	GC-M2012SRL	GC-M2012SRBL
M20×1.5	5-9	90	15	13	24	GC-M2009SRL	GC-M2009SRBL
M20×1.5	10-14	100	15	15.5	27	GC-M2014SRL	GC-M2014SRBL
M25×1.5	13-18	114	15	20	33	GC-M2518SRL	GC-M2518SRBL
M25×1.5	9-16	114	15	20	33	GC-M2516SRL	GC-M2516SRBL



NPT型电缆固定头

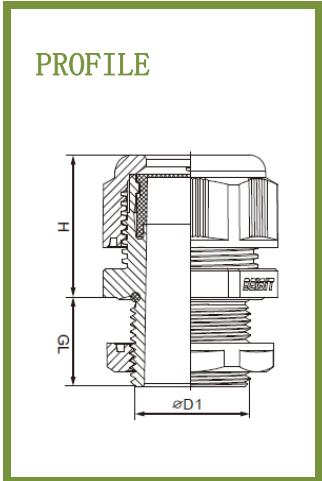
NPT Type Nylon Cable Glands

→ NPT



材料: 采用UL认可的尼龙材料
 防水圈: 丁腈橡胶, (可定制耐候橡胶)
 O型圈: 耐候橡胶
 工作温度: 静态-40℃至100℃
 或瞬间可耐热至120℃
 动态-20℃至80℃
 或瞬间可耐热至100℃
 颜色种类: 灰色、黑色, 其他颜色可定做

Material: PA(NYLON),UL94V-2
 Hermetic seal: NBR,(EPDM Upon Request)
 O-Ring: EPDM
 Working temperature: -40℃ to 100℃ in static state
 Instantaneous heat resistance up to 120℃
 -20℃ to 80℃ in dynamic state
 Instantaneous heat resistance up to 100℃
 Color: Grey,Black,other colors customized



Thread ΦD1	线径 mm	H mm	GL mm	扳手 mm	GC No. grey	GC No. black
3/8"NPT	4-8	22	15	19/22	GC-N3808	GC-N3808B
3/8"NPT	2-6	22	15	19/22	GC-N3806	GC-N3806B
1/2"NPT	6-12	27	13	24	GC-N12612	GC-N12612B
1/2"NPT	5-9	27	13	24	GC-N1209	GC-N1209B
1/2"NPT/E	10-14	28	13	27	GC-N1214	GC-N1214B
1/2"NPT/E	7-12	28	13	27	GC-N12712	GC-N12712B
3/4"NPT	13-18	31	14	33	GC-N3418	GC-N3418B
3/4"NPT	9-16	31	14	33	GC-N3416	GC-N3416B
1"NPT	18-25	39	19	42	GC-N10025	GC-N10025B
1"NPT	13-20	39	19	42	GC-N10020	GC-N10020B
1 1/4"NPT	18-25	39	16	46	GC-N11425	GC-N11425B
1 1/4"NPT	13-20	39	16	46	GC-N11420	GC-N11420B
1 1/2"NPT	22-32	48	20	53	GC-N11232	GC-N11232B
1 1/2"NPT	20-26	48	20	53	GC-N11226	GC-N11226B



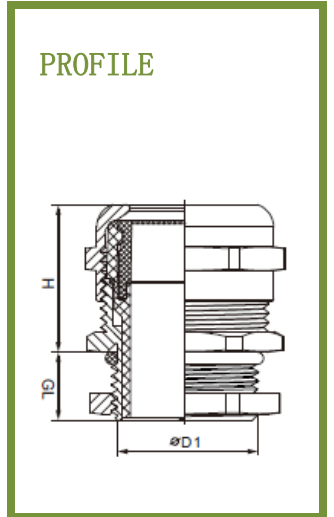
NPT型金属电缆固定头

NPT Type Metal Cable Glands

→ NPT



材料:	镀镍黄铜	Material:	Nickel-plated brass
固定连接组件:	采用UL认可的尼龙材料	Fixture pack:	PA(NYLON),UL94V-2
防水圈:	丁腈橡胶,(可定制耐候橡胶)	Hermetic seal:	NBR,(EPDM Upon Request)
O型圈:	耐候橡胶	O-Ring:	EPDM
保护等级:	IP68-10 压力(旋转位置)	Protection degree:	IP68-10 pressure (Rotary position)
工作温度:	-40℃至100℃ 或瞬间可耐热至120℃	Working temperature:	-40℃ to 100℃ Instantaneous heat resistance up to 120℃
备注:	其它螺纹规格 G(BSP), PF, PS, NPT可定做	Note:	Other screw thread type G(BSP),PF,PS,NPT can be supplied as request



Thread ΦD1	线径 mm	H mm	GL mm	扳手 mm	GC No.
1/4"NPT	3-6.5	19	13	14	GC-N1407NR
1/4"NPT	2-5	19	13	14	GC-N1405NR
3/8"NPT	4-8	21	15	19	GC-N3808NR
3/8"NPT	2-6	21	15	19	GC-N3806NR
1/2"NPT	6-12	23	13	22	GC-N1212NR
1/2"NPT	5-9	23	13	22	GC-N1209NR
1/2"NPT/E	10-14	24	13	24	GC-N1214NR
1/2"NPT/E	7-12	24	13	24	GC-N12712NR
3/4"NPT	13-18	25	14	30	GC-N3418NR
3/4"NPT	9-16	25	14	30	GC-N3416NR
1"NPT	18-25	31	19	40	GC-N10025NR
1"NPT	13-20	31	19	40	GC-N10020NR
1 1/4"NPT	18-25	31	16	44	GC-N11425NR
1 1/4"NPT	13-20	31	16	44	GC-N11420NR
1 1/2"NPT	22-32	37	20	50	GC-N11232NR
1 1/2"NPT	20-26	37	20	50	GC-N11226NR
2"NPT	37-44	38	21	64	GC-N20044NR
2"NPT	29-35	38	21	64	GC-N20035NR



加强NPT型金属电缆固定头

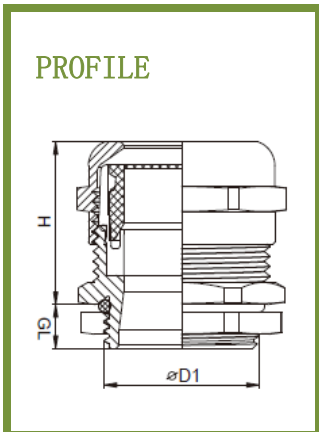
NPT Metal Cable Gland-Reinforced Type

→ NPT

CE IP68 RoHS REACH



材料:	镀镍黄铜	Material:	Nickel-plated brass
固定连接组件:	采用UL认可的尼龙材料	Fixture pack:	PA(NYLON),UL94V-2
防水圈:	丁腈橡胶,(可定制耐候橡胶)	Hermetic seal:	NBR,(EPDM Upon Request)
O型圈:	耐候橡胶	O-Ring:	EPDM
保护等级:	IP68-10 压力(旋转位置)	Protection degree:	IP68-10 pressure (Rotary position)
工作温度:	-40℃至100℃ 或瞬间可耐热至120℃	Working temperature:	-40℃ to 100℃ Instantaneous heat resistance up to 120℃



Thread ΦD1	线径 mm	H mm	GL mm	扳手 mm	GC No.
1/4"NPT	3-6.5	19	13	17	GC-N1407NR-R
1/4"NPT	2-5	19	13	17	GC-N1405NR-R
3/8"NPT	5-10	22	15	20	GC-N3810NR-R
3/8"NPT	3-7	22	15	20	GC-N3807NR-R
1/2"NPT	10-14	24	13	24	GC-N1214NR-R
1/2"NPT	7-12	24	13	24	GC-N1212NR-R
3/4"NPT	13-18	29	13	30	GC-N3418NR-R
3/4"NPT	9-16	29	13	30	GC-N3416NR-R
1"NPT	18-25	31	14	40	GC-N10025NR-R
1"NPT	13-20	31	14	40	GC-N10020NR-R
1 1/4"NPT	18-25	31	19	44	GC-N11425NR-R
1 1/4"NPT	13-20	31	19	44	GC-N11420NR-R
1 1/2"NPT	22-32	37	16	50	GC-N11232NR-R
1 1/2"NPT	20-26	37	16	50	GC-N11226NR-R
2"NPT	37-44	38	20	64	GC-N20044NR-R
2"NPT	29-35	38	20	64	GC-N20035NR-R

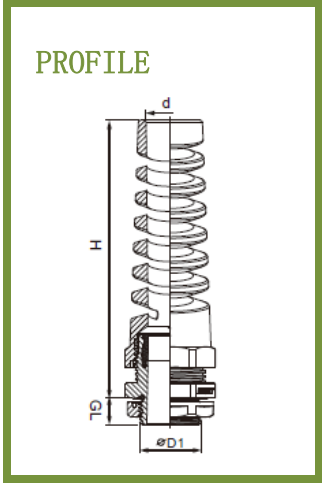


NPT型防折弯电缆固定头

NPT Type Nylon Cable Glands with Strain Relief



材料:	采用UL认可的尼龙材料	Material:	PA(NYLON),UL94V-2
防水圈:	丁腈橡胶,(可定制耐候橡胶)	Hermetic seal:	NBR,(EPDM Upon Request)
O型圈:	耐候橡胶	O-Ring:	EPDM
工作温度:	静态-40℃至100℃ 或瞬间可耐热至120℃ 动态-20℃至80℃ 或瞬间可耐热至100℃	Working temperature:	-40℃ to 100℃ in static state Instantaneous heat resistance up to 120℃ -20℃ to 80℃ in dynamic state Instantaneous heat resistance up to 100℃
颜色种类:	灰色、黑色, 其他颜色可定做	Color:	Grey,Black,other colors customized



Thread ØD1	线径 mm	H mm	GL mm	d mm	扳手 mm	GC No. grey	GC No. black
3/8"NPT	4-8	63	15	8.5	19/22	GC-N3808SR	GC-N3808SRB
3/8"NPT	2-6	63	15	8.5	19/22	GC-N3806SR	GC-N3806SRB
1/2"NPT	6-12	90	13	13	24	GC-N12612SR	GC-N12612SRB
1/2"NPT	5-9	90	13	13	24	GC-N1209SR	GC-N1209SRB
1/2"NPT/E	10-14	100	13	15.5	27	GC-N1214SR	GC-N1214SRB
1/2"NPT/E	7-12	100	13	15.5	27	GC-N12712SR	GC-N12712SRB
3/4"NPT	13-18	114	14	20	33	GC-N3418SR	GC-N3418SRB
3/4"NPT	9-16	114	14	20	33	GC-N3416SR	GC-N3416SRB



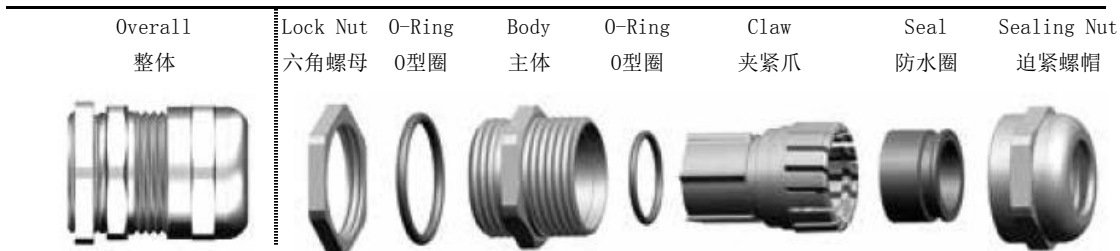
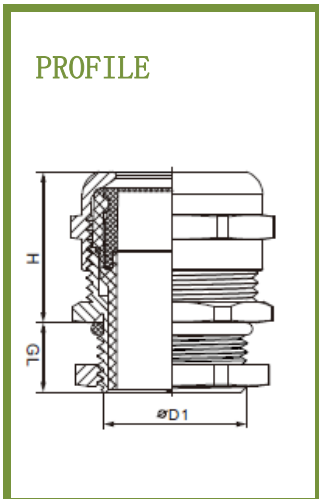
金属电缆固定头

Metal Cable Glands

→ PG/M/NPT/MG/G(PF)



材料:	镀镍黄铜	Material:	Nickel-plated brass
固定连接组件:	采用UL认可的尼龙材料	Fixture pack:	PA(NYLON),UL94V-2
防水圈:	丁腈橡胶, (可定制耐候橡胶)	Hermetic seal:	NBR, (EPDM Upon Request)
O型圈:	耐候橡胶	O-Ring:	EPDM
保护等级:	IP68-10 压力 (旋转位置)	Protection degree:	IP68-10 pressure (Rotary position)
工作温度:	-40 ℃至100 ℃ 或瞬间可耐热至120 ℃	Working temperature:	-40 ℃ to 100 ℃ Instantaneous heat resistance up to 120 ℃
备注:	其它螺纹规格 G (BSP), PF, PS, NPT可定做	Note:	Other screw thread type G(BSP),PF,PS,NPT can be supplied as request



应用效果图 Instruction of usage



MG型电缆固定头

MG Type Nylon Cable Glands

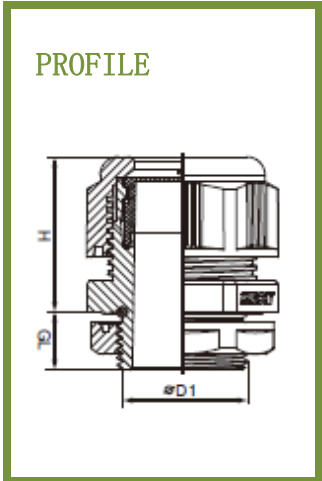
→ MG

CE IP68 RoHS REACH



材料: 采用UL认可的尼龙材料
 防水圈: 丁腈橡胶, (可定制耐候橡胶)
 垫片: 丁腈橡胶
 工作温度: 静态-40℃至100℃
 或瞬间可耐热至120℃
 动态-20℃至80℃
 或瞬间可耐热至100℃
 颜色种类: 灰色、黑色, 其他颜色可定做

Material: PA(NYLON),UL94V-2
 Hermetic seal: NBR,(EPDM Upon Request)
 Washer: NBR
 Working temperature: -40℃ to 100℃ in static state
 Instantaneous heat resistance up to 120℃
 -20℃ to 80℃ in dynamic state
 Instantaneous heat resistance up to 100℃
 Color: Grey,Black,other colors customized



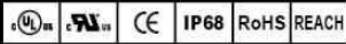
Thread ΦD1	线径 mm	H mm	GL mm	扳手 mm	GC No. grey	GC No. black
MG12	3-6.5	21	15	15	GC-MG1207	GC-MG1207B
MG12	2-5	21	15	15	GC-MG1205	GC-MG1205B
MG16	5-10	25	15	22	GC-MG1610	GC-MG1610B
MG16	3-7	25	15	22	GC-MG1607	GC-MG1607B
MG20	10-14	28	15	27	GC-MG2014	GC-MG2014B
MG20	7-12	28	15	27	GC-MG2012	GC-MG2012B
MG25	13-18	31	15	33	GC-MG2518	GC-MG2518B
MG25	9-16	31	15	33	GC-MG2516	GC-MG2516B
MG32	18-25	39	15	42	GC-MG3225	GC-MG3225B
MG32	13-20	39	15	42	GC-MG3220	GC-MG3220B
MG40	22-32	48	18	53	GC-MG4032	GC-MG4032B
MG40	20-26	48	18	53	GC-MG4026	GC-MG4026B
MG50	32-38	49	18	60	GC-MG5038	GC-MG5038B
MG50	25-31	49	18	60	GC-MG5031	GC-MG5031B
MG63	37-44	49	24	68	GC-MG6344	GC-MG6344B
MG63	29-35	49	24	68	GC-MG6335	GC-MG6335B



G (PF) 型电缆固定头

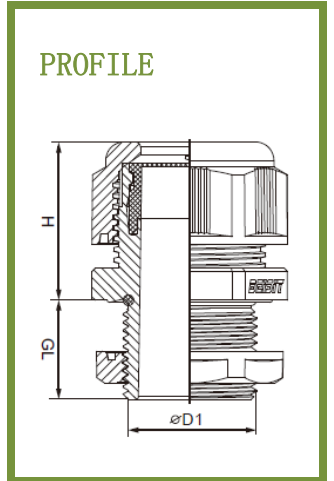
G (PF) Type Nylon Cable Glands

→ G(PF)



材料: 采用UL认可的尼龙材料
 防水圈: 丁腈橡胶, (可定制耐候橡胶)
 O型圈: 耐候橡胶
 工作温度: 静态-40℃至100℃
 或瞬间可耐热至120℃
 动态-20℃至80℃
 或瞬间可耐热至100℃
 颜色种类: 灰色、黑色, 其他颜色可定做

Material: PA(NYLON),UL94V-2
 Hermetic seal: NBR,(EPDM Upon Request)
 O-Ring: EPDM
 Working temperature: -40℃ to 100℃ in static state
 Instantaneous heat resistance up to 120℃
 -20℃ to 80℃ in dynamic state
 Instantaneous heat resistance up to 100℃
 Color: Grey,Black,other colors customized



Thread ΦD1	线径 mm	H mm	GL mm	扳手 mm	GC No. grey	GC No. black
G (PF) 1/4"	3-6.5	21	9	15	GC-G1407	GC-G1407B
G (PF) 1/4"	2-5	21	9	15	GC-G1405	GC-G1405B
G (PF) 3/8"	4-8	22	10	19/22	GC-G3808	GC-G3808B
G (PF) 3/8"	2-6	22	10	19/22	GC-G3806	GC-G3806B
G (PF) 1/2"	6-12	26	10	24	GC-G1212	GC-G1212B
G (PF) 1/2"	5-9	26	10	24	GC-G1209	GC-G1209B
G (PF) 1/2"	10-14	28	10	27	GC-G1214	GC-G1214B
G (PF) 3/4"	13-18	31	15	33	GC-G3418	GC-G3418B
G (PF) 3/4"	9-16	31	15	33	GC-G3416	GC-G3416B
G (PF) 1"	18-25	39	15	42	GC-G10025	GC-G10025B
G (PF) 1"	13-20	39	15	42	GC-G10020	GC-G10020B
G (PF) 1 1/4"	22-32	48	18	53	GC-G11432	GC-G11432B
G (PF) 1 1/4"	20-26	48	18	53	GC-G11426	GC-G11426B
G (PF) 1 1/2"	32-38	49	20	60	GC-G11238	GC-G11238B
G (PF) 1 1/2"	25-31	49	20	60	GC-G11231	GC-G11231B
G (PF) 2"	37-44	50	20	65	GC-G20044	GC-G20044B
G (PF) 2"	29-35	50	20	65	GC-G20035	GC-G20035B



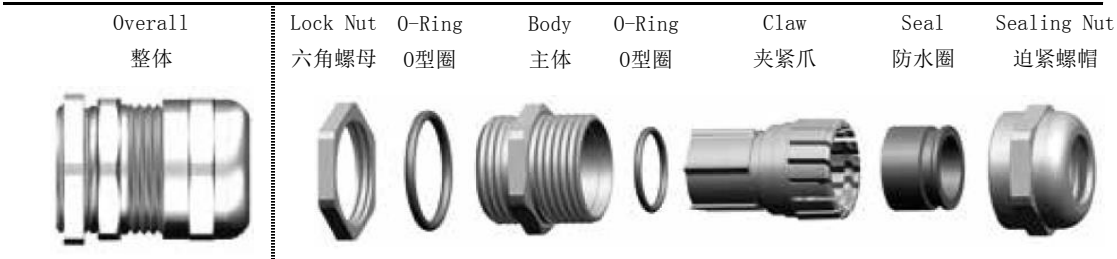
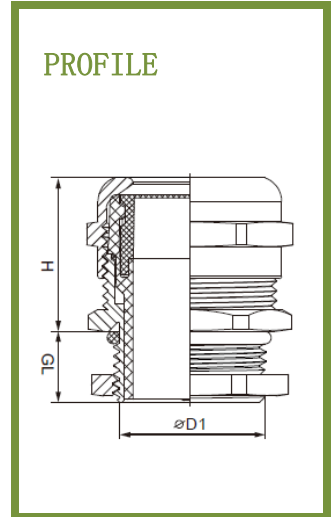
G (PF) 型金属电缆固定头

G (PF) Type Metal Cable Glands

→ G(PF)



材料:	镀镍黄铜	Material:	Nickel-plated brass
固定连接组件:	采用UL认可的尼龙材料	Fixture pack:	PA(NYLON),UL94V-2
防水圈:	丁腈橡胶,(可定制耐候橡胶)	Hermetic seal:	NBR,(EPDM Upon Request)
O型圈:	耐候橡胶	O-Ring:	EPDM
保护等级:	IP68-10 压力 (旋转位置)	Protection degree:	IP68-10 pressure (Rotary position)
工作温度:	-40℃至100℃ 或瞬间可耐热至120℃	Working temperature:	-40℃ to 100℃ Instantaneous heat resistance up to 120℃
备注:	其它螺纹规格 G (BSP), PF, PS, NPT可定做	Note:	Other screw thread type G(BSP),PF,PS,NPT can be supplied as request



Thread ΦD1	线径 mm	H mm	GL mm	扳手 mm	GC No.
G (PF) 1/4"	3-6.5	19	8	14	GC-G1407NR
G (PF) 1/4"	2-5	19	8	14	GC-G1405NR
G (PF) 3/8"	4-8	21	9	19	GC-G3808NR
G (PF) 3/8"	2-6	21	9	19	GC-G3806NR
G (PF) 1/2"	6-12	23	9	22	GC-G1212NR
G (PF) 1/2"	5-9	23	9	22	GC-G1209NR
G (PF) 1/2"	10-14	24	9	24	GC-G1214NR
G (PF) 3/4"	13-18	25	12	30	GC-G3418NR
G (PF) 3/4"	9-16	25	12	30	GC-G3416NR
G (PF) 1"	18-25	31	12	40	GC-G10025NR
G (PF) 1"	13-20	31	12	40	GC-G10020NR
G (PF) 1 1/4"	22-32	37	15	50	GC-G11432NR
G (PF) 1 1/4"	20-26	37	15	50	GC-G11426NR
G (PF) 1 1/2"	32-38	37	15	57	GC-G11238NR
G (PF) 1 1/2"	25-31	37	15	57	GC-G11231NR
G (PF) 2"	37-44	38	15	64	GC-G20044NR
G (PF) 2"	29-35	38	15	64	GC-G20035NR



加强G (PF) 型金属电缆固定头

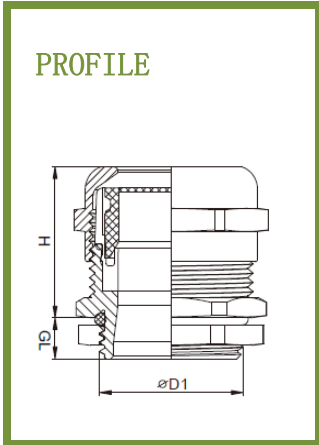
G(PF) Metal Cable Gland-Reinforced Type

→ G(PF)

CE IP68 RoHS REACH



材料:	镀镍黄铜	Material:	Nickel-plated brass
固定连接组件:	采用UL认可的尼龙材料	Fixture pack:	PA(NYLON),UL94V-2
防水圈:	丁腈橡胶,(可定制耐候橡胶)	Hermetic seal:	NBR,(EPDM Upon Request)
O型圈:	耐候橡胶	O-Ring:	EPDM
保护等级:	IP68-10 压力 (旋转位置)	Protection degree:	IP68-10 pressure (Rotary position)
工作温度:	-40℃至100℃ 或瞬间可耐热至120℃	Working temperature:	-40℃ to 100℃ Instantaneous heat resistance up to 120℃



Thread ΦD1	线径 mm	H mm	GL mm	扳手 mm	GC No.
G (PF) 1/4"	3-6.5	19	8	14	GC-G1407NR-R
G (PF) 1/4"	2-5	19	8	14	GC-G1405NR-R
G (PF) 3/8"	5-10	22	9	20	GC-G3810NR-R
G (PF) 3/8"	3-7	22	9	20	GC-G3807NR-R
G (PF) 1/2"	10-14	24	9	24	GC-G1214NR-R
G (PF) 1/2"	7-12	24	9	24	GC-G1212NR-R
G (PF) 3/4"	13-18	29	12	30	GC-G3418NR-R
G (PF) 3/4"	9-16	29	12	30	GC-G3416NR-R
G (PF) 1"	18-25	31	12	40	GC-G10025NR-R
G (PF) 1"	13-20	31	12	40	GC-G10020NR-R
G (PF) 1 1/4"	22-32	37	15	50	GC-G11432NR-R
G (PF) 1 1/4"	20-26	37	15	50	GC-G11426NR-R
G (PF) 1 1/2"	32-38	37	15	57	GC-G11238NR-R
G (PF) 1 1/2"	25-31	37	15	57	GC-G11231NR-R
G (PF) 2"	37-44	38	15	64	GC-G20044NR-R
G (PF) 2"	29-35	38	15	64	GC-G20035NR-R



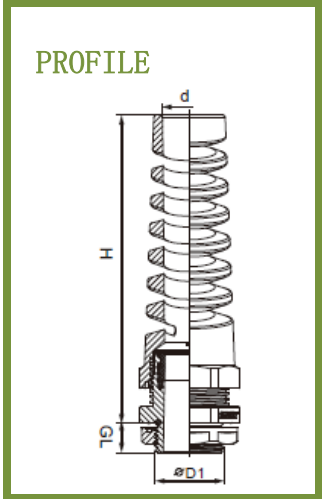
G (PF) 型防折弯电缆固定头

G (PF) Type Nylon Cable Glands with Strain Relief

→ G(PF) CE IP68 RoHS REACH



材料:	采用UL认可的尼龙材料	Material:	PA(NYLON),UL94V-2
防水圈:	丁腈橡胶, (可定制耐候橡胶)	Hermetic seal:	NBR,(EPDM Upon Request)
O型圈:	耐候橡胶	O-Ring:	EPDM
工作温度:	静态-40℃至100℃	Working temperature:	-40℃ to 100℃ in static state
	或瞬间可耐热至120℃		Instantaneous heat resistance up to 120℃
	动态-20℃至80℃		-20℃ to 80℃ in dynamic state
	或瞬间可耐热至100℃		Instantaneous heat resistance up to 100℃
颜色种类:	灰色、黑色, 其他颜色可定做	Color:	Grey,Black,other colors customized



Thread ΦD1	线径 mm	H mm	GL mm	扳手 mm	GC No. grey	GC No. black
G (PF) 1/4"	3-6.5	54	9	15/16	GC-G1407SR	GC-G1407SRB
G (PF) 1/4"	2-5	54	9	15/16	GC-G1405SR	GC-G1405SRB
G (PF) 3/8"	4-8	63	10	19/22	GC-G3808SR	GC-G3808SRB
G (PF) 3/8"	2-6	63	10	19/22	GC-G3806SR	GC-G3806SRB
G (PF) 1/2"	6-12	90	10	24	GC-G1212SR	GC-G1212SRB
G (PF) 1/2"	5-9	90	10	24	GC-G1209SR	GC-G1209SRB
G (PF) 3/4"	13-18	114	15	33	GC-G3418SR	GC-G3418SRB
G (PF) 3/4"	9-16	114	15	33	GC-G3416SR	GC-G3416SRB



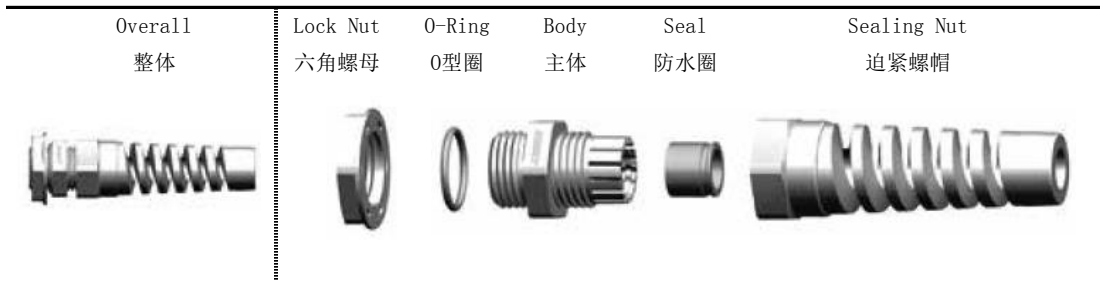
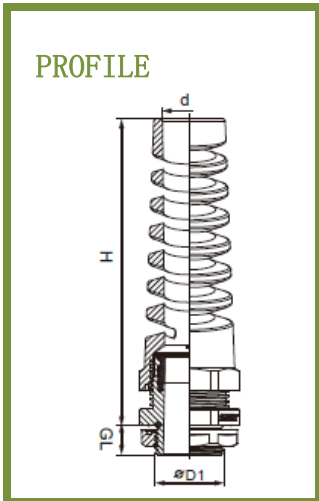
防折弯电缆固定头

Nylon Cable Glands with Strain Relief

→ PG/M/NPT/G



材料:	采用UL认可的尼龙材料	Material:	PA(NYLON),UL94V-2
防水圈:	丁腈橡胶,(可定制耐候橡胶)	Hermetic seal:	NBR,(EPDM Upon Request)
O型圈:	耐候橡胶	O-Ring:	EPDM
工作温度:	静态-40℃至100℃ 或瞬间可耐热至120℃ 动态-20℃至80℃ 或瞬间可耐热至100℃	Working temperature:	-40℃ to 100℃ in static state Instantaneous heat resistance up to 120℃ -20℃ to 80℃ in dynamic state Instantaneous heat resistance up to 100℃
颜色种类:	灰色、黑色, 其他颜色可定做	Color:	Grey,Black,other colors customized



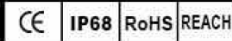
应用效果图 Instruction of usage



M型/M加长型多孔电缆固定头

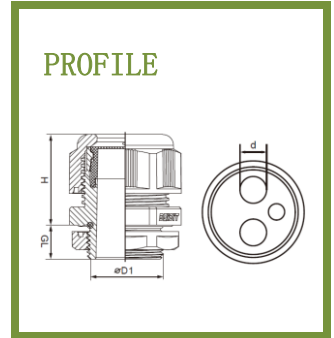
Multiple-entry Nylon Cable Gland-M/M-Length Type

→ M/M-Length



材料: 采用UL认可的尼龙材料
 防水圈: 丁腈橡胶, (可定制耐候橡胶)
 O型圈: 耐候橡胶
 工作温度: 静态-40℃至100℃
 或瞬间可耐热至120℃
 动态-20℃至80℃
 或瞬间可耐热至100℃
 颜色种类: 灰色、黑色, 其他颜色可定做
 孔数: 可根据要求定做

Material: PA(NYLON),UL94V-2
 Hermetic seal: NBR,(EPDM Upon Request)
 O-Ring: EPDM
 Working temperature: -40℃ to 100℃ in static state
 Instantaneous heat resistance up to 120℃
 -20℃ to 80℃ in dynamic state
 Instantaneous heat resistance up to 100℃
 Color: Grey,Black,other colors customized
 Number of holes: Could be customized



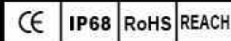
No. of Holes	Thread ΦD1	No. of Holes × d mm	H mm	GL mm	扳手 mm	GC No.	GL (L) mm	GC No.
1	M20B	1×7.5	28	9	27	GC-M20B-H1-7.5	15	GC-M20BL-H1-7.5
1	M25	1×10.2	31	11	33	GC-M25-H1-10.2	15	GC-M25L-H1-10.2
1	M25	1×14.5	31	11	33	GC-M25-H1-14.5	15	GC-M25L-H1-14.5
1	M25	1×15	31	11	33	GC-M25-H1-15	15	GC-M25L-H1-15
1	M40	1×33	48	13	53	GC-M40-H1-33	18	GC-M40L-H1-33
2	M16B	2×4	25	8	22	GC-M16B-H2-4	15	GC-M16BL-H2-4
2	M20S	2×5	27	9	24	GC-M20S-H2-5	15	GC-M20SL-H2-5
2	M20B	2×5	28	9	27	GC-M20B-H2-5	15	GC-M20BL-H2-5
2	M20B	2×5.2	28	9	27	GC-M20B-H2-5.2	15	GC-M20BL-H2-5.2
2	M20B	2×5.5	28	9	27	GC-M20B-H2-5.5	15	GC-M20BL-H2-5.5
2	M20B	2×5.7	28	9	27	GC-M20B-H2-5.7	15	GC-M20BL-H2-5.7
2	M20B	2×6	28	9	27	GC-M20B-H2-6	15	GC-M20BL-H2-6
2	M20B	2×6.7	28	9	27	GC-M20B-H2-6.7	15	GC-M20BL-H2-6.7
2	M25	2×5.7	31	11	33	GC-M25-H2-5.7	15	GC-M25L-H2-5.7
2	M25	5+8	31	11	33	GC-M25-H2-5.8	15	GC-M25L-H2-5.8
2	M25	2×8	31	11	33	GC-M25-H2-8	15	GC-M25L-H2-8
3	M20S	3×4	27	9	24	GC-M20S-H3-4	15	GC-M20SL-H3-4
3	M20S	3×6	27	9	24	GC-M20S-H3-6	15	GC-M20SL-H3-6
3	M25	3×4.5	31	11	33	GC-M25-H3-4.5	15	GC-M25L-H3-4.5
3	M25	3×7	31	11	33	GC-M25-H3-7	15	GC-M25L-H3-7
3	M63	3×6.5	49	14	68	GC-M63-H3-6.5	18	GC-M63L-H3-6.5
3	M32	1×6.7+2×10.2	39	11	42	GC-M32-H3-(6.7+10.2)	15	GC-M32L-H3-(6.7+10.2)
3	M32	1×7.6+2×11.7	39	11	42	GC-M32-H3-(7.6+11.7)	15	GC-M32L-H3-(7.6+11.7)
4	M25	4×5.3	31	11	33	GC-M25-H4-5.3	15	GC-M25L-H4-5.3
4	M25	4×6	31	11	33	GC-M25-H4-6	15	GC-M25L-H4-6
4	M32	4×7	39	11	42	GC-M32-H4-7	15	GC-M32L-H4-7
4	M40	4×10	48	13	53	GC-M40-H4-10	18	GC-M40L-H4-10
5	M32	5×8	39	11	42	GC-M32-H5-8	15	GC-M32L-H5-8
6	M20S	6×3.5	27	9	24	GC-M20S-H6-3.5	15	GC-M20SL-H6-3.5
6	M32	6×6	39	11	42	GC-M32-H6-6	15	GC-M32L-H6-6
8	M40	8×6	48	13	53	GC-M40-H8-6	18	GC-M40L-H8-6
9	M50	9×9	49	13	60	GC-M50-H9-9	18	GC-M50L-H9-9
25	M50	25×5	49	13	60	GC-M50-H25-5	18	GC-M50L-H25-5



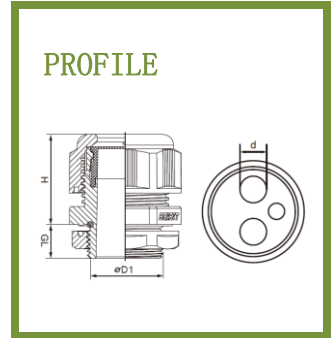
PG型/PG加长型多孔电缆固定头

Multiple-entry Nylon Cable Gland-PG/PG-Length Type

→ PG/PG-Length



材料:	采用UL认可的尼龙材料	Material:	PA(NYLON),UL94V-2
防水圈:	丁腈橡胶,(可定制耐候橡胶)	Hermetic seal:	NBR,(EPDM Upon Request)
O型圈:	耐候橡胶	O-Ring:	EPDM
工作温度:	静态-40℃至100℃ 或瞬间可耐热至120℃ 动态-20℃至80℃ 或瞬间可耐热至100℃	Working temperature:	-40℃ to 100℃ in static state Instantaneous heat resistance up to 120℃ -20℃ to 80℃ in dynamic state Instantaneous heat resistance up to 100℃
颜色种类:	灰色、黑色, 其他颜色可定做	Color:	Grey,Black,other colors customized
孔数:	可根据要求定做	Number of holes:	Could be customized



No. of Holes	Thread ΦD1	No. of Holes × d mm	H mm	GL mm	扳手 mm	GC No.	GL (L) mm	GC No.
1	PG16	1×7.5	28	10	27	GC-P16-H1-7.5	15	GC-P16L-H1-7.5
1	PG21	1×10.2	31	11	33	GC-P21-H1-10.2	15	GC-P21L-H1-10.2
1	PG21	1×14.5	31	11	33	GC-P21-H1-14.5	15	GC-P21L-H1-14.5
1	PG21	1×15	31	11	33	GC-P21-H1-15	15	GC-P21L-H1-15
1	PG36	1×33	48	13	53	GC-P36-H1-33	18	GC-P36L-H1-33
2	PG11	2×4	25	8	22	GC-P11-H2-4	15	GC-P11L-H2-4
2	PG13.5	2×5	27	9	24	GC-P13.5-H2-5	15	GC-P13.5L-H2-5
2	PG16	2×5	28	10	27	GC-P16-H2-5	15	GC-P16L-H2-5
2	PG16	2×5.2	28	10	27	GC-P16-H2-5.2	15	GC-P16L-H2-5.2
2	PG16	2×5.5	28	10	27	GC-P16-H2-5.5	15	GC-P16L-H2-5.5
2	PG16	2×5.7	28	10	27	GC-P16-H2-5.7	15	GC-P16L-H2-5.7
2	PG16	2×6	28	10	27	GC-P16-H2-6	15	GC-P16L-H2-6
2	PG16	2×6.7	28	10	27	GC-P16-H2-6.7	15	GC-P16L-H2-6.7
2	PG21	2×5.7	31	11	33	GC-P21-H2-5.7	15	GC-P21L-H2-5.7
2	PG21	5+8	31	11	33	GC-P21-H2-5.8	15	GC-P21L-H2-5.8
2	PG21	2×8	31	11	33	GC-P21-H2-8	15	GC-P21L-H2-8
3	PG13.5	3×4	27	9	24	GC-P13.5-H3-4	15	GC-P13.5L-H3-4
3	PG13.5	3×6	27	9	24	GC-P13.5-H3-6	15	GC-P13.5L-H3-6
3	PG21	3×4.5	31	11	33	GC-P21-H3-4.5	15	GC-P21L-H3-4.5
3	PG21	3×7	31	11	33	GC-P21-H3-7	15	GC-P21L-H3-7
3	PG48	3×6.5	49	14	65	GC-P48-H3-6.5	18	GC-P48L-H3-6.5
3	PG29	1×6.7+2×10.2	39	11	42	GC-P29-H3-(6.7+10.2)	15	GC-P29L-H3-(6.7+10.2)
3	PG29	1×7.6+2×11.7	39	11	42	GC-P29-H3-(7.6+11.7)	15	GC-P29L-H3-(7.6+11.7)
4	PG21	4×5.3	31	11	33	GC-P21-H4-5.3	15	GC-P21L-H4-5.3
4	PG21	4×6	31	11	33	GC-P21-H4-6	15	GC-P21L-H4-6
4	PG29	4×7	39	11	42	GC-P29-H4-7	15	GC-P29L-H4-7
4	PG36	4×10	48	13	53	GC-P36-H4-10	18	GC-P36L-H4-10
5	PG29	5×8	39	11	42	GC-P29-H5-8	15	GC-P29L-H5-8
6	PG13.5	6×3.5	27	9	24	GC-P13-H6-3.5	15	GC-P13L-H6-3.5
6	PG29	6×6	39	11	42	GC-P29-H6-6	15	GC-P29L-H6-6
8	PG36	8×6	48	13	53	GC-P36-H8-6	18	GC-P36L-H8-6
9	PG42	9×9	49	13	60	GC-P42-H9-9	18	GC-P42L-H9-9
25	PG42	25×5	49	13	60	GC-P42-H25-5	18	GC-P42L-H25-5



NPT型多孔电缆固定头

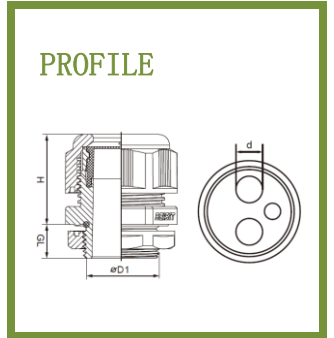
Multiple-entry Nylon Cable Gland-NPT Type

→ NPT

CE IP68 RoHS REACH



材料:	采用UL认可的尼龙材料	Material:	PA(NYLON),UL94V-2
防水圈:	丁腈橡胶, (可定制耐候橡胶)	Hermetic seal:	NBR,(EPDM Upon Request)
O型圈:	耐候橡胶	O-Ring:	EPDM
工作温度:	静态-40℃至100℃ 或瞬间可耐热至120℃ 动态-20℃至80℃ 或瞬间可耐热至100℃	Working temperature:	-40℃ to 100℃ in static state Instantaneous heat resistance up to 120℃ -20℃ to 80℃ in dynamic state Instantaneous heat resistance up to 100℃
颜色种类:	灰色、黑色, 其他颜色可定做	Color:	Grey,Black,other colors customized
孔数:	可根据要求定做	Number of holes:	Could be customized



No. of Holes	Thread ΦD1	No. of Holes × d mm	H mm	GL mm	扳手 mm	GC No.
1	1/2"NPT/E	1×7.5	28	13	27	GC-N1 1/2"E-H1-7.5
1	3/4"NPT	1×10.2	31	14	33	GC-N3/4"H1-10.2
1	3/4"NPT	1×14.5	31	14	33	GC-N3/4"H1-14.5
1	3/4"NPT	1×15	31	14	33	GC-N3/4"H1-15
1	1 1/2"NPT	1×33	48	20	53	GC-N1 1/2"H1-33
2	1/2"NPT	2×5	27	13	24	GC-N1/2"H2-5
2	1/2"NPT/E	2×5	28	13	27	GC-N1/2"E-H2-5
2	1/2"NPT/E	2×5.2	28	13	27	GC-N1/2"E-H2-5.2
2	1/2"NPT/E	2×5.5	28	13	27	GC-N1/2"E-H2-5.5
2	1/2"NPT/E	2×5.7	28	13	27	GC-N1/2"E-H2-5.7
2	1/2"NPT/E	2×6	28	13	27	GC-N1/2"E-H2-6
2	1/2"NPT/E	2×6.7	28	13	27	GC-N1/2"E-H2-6.7
2	3/4"NPT	2×5.7	31	14	33	GC-N3/4"H2-5.7
2	3/4"NPT	5+8	31	14	33	GC-N3/4"H2-5.8
2	3/4"NPT	2×8	31	14	33	GC-N3/4"H2-8
3	1/2"NPT	3×4	27	13	24	GC-N1/2"H3-4
3	1/2"NPT	3×6	27	13	24	GC-N1/2"H3-6
3	3/4"NPT	3×4.5	31	14	33	GC-N3/4"H3-4.5
3	3/4"NPT	3×7	31	14	33	GC-N3/4"H3-7
3	1"NPT	1×6.7+2×10.2	39	19	42	GC-N1"H3-(6.7+10.2)
3	1 1/4"NPT	1×6.7+2×10.2	39	16	46	GC-N1 1/4"H3-(6.7+10.2)
3	1"NPT	1×7.6+2×11.7	39	19	42	GC-N1"H3-(7.6+11.7)
3	1 1/4"NPT	1×7.6+2×11.7	39	16	46	GC-N1 1/4"H3-(7.6+11.7)
4	3/4"NPT	4×5.3	31	14	33	GC-N3/4"H4-5.3
4	3/4"NPT	4×6	31	14	33	GC-N3/4"H4-6
4	1"NPT	4×7	39	19	42	GC-N1"H4-7
4	1 1/4"NPT	4×7	39	16	46	GC-N1 1/4"H4-7
4	1 1/2"NPT	4×10	48	20	53	GC-N1 1/2"H4-10
5	1"NPT	5×8	39	19	42	GC-N1"H5-8
5	1 1/4"NPT	5×8	39	16	46	GC-N1 1/4"H5-8
6	1/2"NPT	6×3.5	27	13	24	GC-N1/2"H6-3.5
6	1"NPT	6×6	39	19	42	GC-N1"H6-6
6	1 1/4"NPT	6×6	39	16	46	GC-N1 1/4"H6-6
8	1 1/2"NPT	8×6	48	20	53	GC-N1 1/2"H8-6



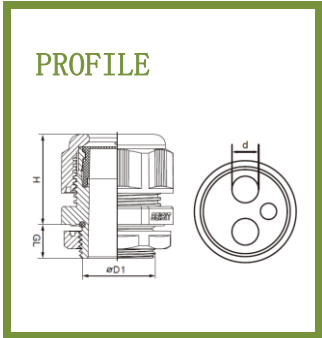
G (PF) 型多孔电缆固定头

Multiple-entry Nylon Cable Gland-G(PF) Type

→ G(PF)



材料:	采用UL认可的尼龙材料	Material:	PA(NYLON),UL94V-2
防水圈:	丁腈橡胶, (可定制耐候橡胶)	Hermetic seal:	NBR,(EPDM Upon Request)
O型圈:	耐候橡胶	O-Ring:	EPDM
工作温度:	静态-40℃至100℃ 或瞬间可耐热至120℃ 动态-20℃至80℃ 或瞬间可耐热至100℃	Working temperature:	-40℃ to 100℃ in static state Instantaneous heat resistance up to 120℃ -20℃ to 80℃ in dynamic state Instantaneous heat resistance up to 100℃
颜色种类:	灰色、黑色, 其他颜色可定做	Color:	Grey,Black,other colors customized
孔数:	可根据要求定做	Number of holes:	Could be customized



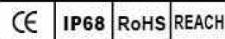
No. of Holes	Thread ΦD1	No. of Holes × d mm	H mm	GL mm	扳手 mm	GC No.
1	G (PF) 3/4"	1×10.2	31	15	33	GC-G3/4"-H1-10.2
1	G (PF) 3/4"	1×14.5	31	15	33	GC-G3/4"-H1-14.5
1	G (PF) 3/4"	1×15	31	15	33	GC-G3/4"-H1-15
1	G (PF) 1 1/2"	1×33	48	20	53	GC-G1 1/2"-H1-33
2	G (PF) 1/2"	2×5	26	10	24	GC-G1/2"-H2-5
2	G (PF) 3/4"	2×5.7	31	15	33	GC-G3/4"-H2-5.7
2	G (PF) 3/4"	5+8	31	15	33	GC-G3/4"-H2-5.8
2	G (PF) 3/4"	2×8	31	15	33	GC-G3/4"-H2-8
3	G (PF) 1/2"	3×4	26	10	24	GC-G1/2"-H3-4
3	G (PF) 1/2"	3×6	26	10	24	GC-G1/2"-H3-6
3	G (PF) 3/4"	3×4.5	31	15	33	GC-G3/4"-H3-4.5
3	G (PF) 3/4"	3×7	31	15	33	GC-G3/4"-H3-7
3	G (PF) 2"	3×6.5	49	20	65	GC-G2"-H3-6.5
3	G (PF) 1"	1×6.7+2×10.2	39	15	42	GC-G1"-H3-(6.7+10.2)
3	G (PF) 1"	1×7.6+2×11.7	39	15	42	GC-G1"-H3-(7.6+11.7)
4	G (PF) 3/4"	4×5.3	31	15	33	GC-G3/4"-H4-5.3
4	G (PF) 3/4"	4×6	31	15	33	GC-G3/4"-N4-6
4	G (PF) 1"	4×7	39	15	42	GC-G1"-H4-7
4	G (PF) 1 1/4"	4×10	48	20	53	GC-G1 1/4"-H4-10
5	G (PF) 1"	5×8	39	15	42	GC-G1"-H5-8
6	G (PF) 1/2"	6×3.5	26	10	24	GC-G1/2"-H6-3.5
6	G (PF) 1"	6×6	39	15	42	GC-G1"-H6-6
8	G (PF) 1/4"	8×6	48	20	53	GC-G1 1/4"-H8-6
9	G (PF) 1/2"	9×9	49	20	60	GC-G1 1/2"-H9-9
25	G (PF) 1/2"	25×5	49	20	60	GC-G1 1/2"-H25-5



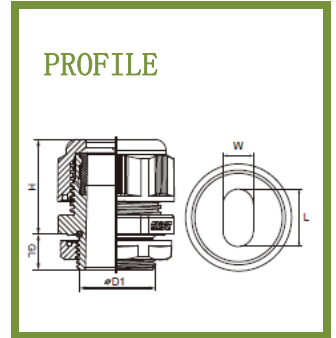
M型/M加长型扁孔电缆固定头

Flat hole Nylon Cable Gland-M/M-Length Type

→ M/M-Length



材料:	采用UL认可的尼龙材料	Material:	PA(NYLON),UL94V-2
防水圈:	丁腈橡胶,(可定制耐候橡胶)	Hermetic seal:	NBR,(EPDM Upon Request)
O型圈:	耐候橡胶	O-Ring:	EPDM
工作温度:	静态-40℃至100℃ 或瞬间可耐热至120℃ 动态-20℃至80℃ 或瞬间可耐热至100℃	Working temperature:	-40℃ to 100℃ in static state Instantaneous heat resistance up to 120℃ -20℃ to 80℃ in dynamic state Instantaneous heat resistance up to 100℃
颜色种类:	灰色、黑色,其他颜色可定做	Color:	Grey,Black,other colors customized
孔数:	可根据要求定做	Number of holes:	Could be customized



No. of Holes	Thread ΦD1	No. of Holes × d mm	H mm	GL mm	扳手 mm	GC No.	GL (L) mm	GC No.
1	M25	1×(7.2*13.0)	31	11	33	GC-M25-H1-(7.2*13.0)	15	GC-M25L-H1-(7.2*13.0)
1	M25	1×(8.0*15.0)	31	11	33	GC-M25-H1-(8.0*15.0)	15	GC-M25L-H1-(8.0*15.0)
1	M25	1×(9.6*18.2)	31	11	33	GC-M25-H1-(9.6*18.2)	15	GC-M25L-H1-(9.6*18.2)
1	M32	1×(11.0*22.5)	39	11	42	GC-M32-H1-(11.0*22.5)	15	GC-M32L-H1-(11.0*22.5)
2	M25	2×(5.0*8.6)	31	11	33	GC-M25-H2-(5.0*8.6)	15	GC-M25L-H2-(5.0*8.6)
2	M25	2×(6.2*11.5)	31	11	33	GC-M25-H2-(6.2*11.5)	15	GC-M25L-H2-(6.2*11.5)

PG型/PG加长型扁孔电缆固定头

Flat hole Nylon Cable Gland-PG/PG-Length Type

→ PG/PG-Length



No. of Holes	Thread ΦD1	No. of Holes × d mm	H mm	GL mm	扳手 mm	GC No.	GL (L) mm	GC No.
1	PG21	1×(7.2*13.0)	31	11	33	GC-P21-H1-(7.2*13.0)	15	GC-P21L-H1-(7.2*13.0)
1	PG21	1×(8.0*15.0)	31	11	33	GC-P21-H1-(8.0*15.0)	15	GC-P21L-H1-(8.0*15.0)
1	PG21	1×(9.6*18.2)	31	11	33	GC-P21-H1-(9.6*18.2)	15	GC-P21L-H1-(9.6*18.2)
1	PG29	1×(11.0*22.5)	39	11	42	GC-P29-H1-(11.0*22.5)	15	GC-P29L-H1-(11.0*22.5)
2	PG21	2×(5.0*8.6)	31	11	33	GC-P21-H2-(5.0*8.6)	15	GC-P21L-H2-(5.0*8.6)
2	PG21	2×(6.2*11.5)	31	11	33	GC-P21-H2-(6.2*11.5)	15	GC-P21L-H2-(6.2*11.5)



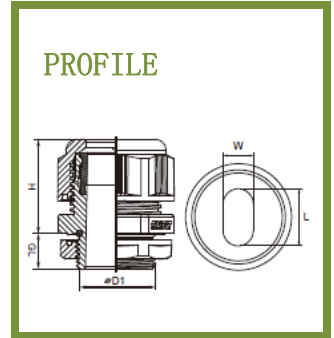
NPT型扁孔电缆固定头

Flat hole Nylon Cable Gland-NPT Type

→ NPT



材料:	采用UL认可的尼龙材料	Material:	PA(NYLON),UL94V-2
防水圈:	丁腈橡胶,(可定制耐候橡胶)	Hermetic seal:	NBR,(EPDM Upon Request)
O型圈:	耐候橡胶	O-Ring:	EPDM
工作温度:	静态-40℃至100℃ 或瞬间可耐热至120℃ 动态-20℃至80℃ 或瞬间可耐热至100℃	Working temperature:	-40℃ to 100℃ in static state Instantaneous heat resistance up to 120℃ -20℃ to 80℃ in dynamic state Instantaneous heat resistance up to 100℃
颜色种类:	灰色、黑色,其他颜色可定做	Color:	Grey,Black,other colors customized
孔数:	可根据要求定做	Number of holes:	Could be customized

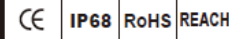


No. of Holes	Thread $\Phi D1$	No. of Holes \times d mm	H mm	GL mm	扳手 mm	GC No.
1	3/4"NPT	1 \times (7.2*13.0)	31	14	33	GC-N3/4"-H1-(7.2*13.0)
1	3/4"NPT	1 \times (8.0*15.0)	31	14	33	GC-N3/4"-H1-(8.0*15.0)
1	3/4"NPT	1 \times (9.6*18.2)	31	14	33	GC-N3/4"-H1-(9.6*18.2)
1	1"NPT	1 \times (11.0*22.5)	39	19	42	GC-N1"-H1-(11.0*22.5)
2	1 1/4"NPT	1 \times (11.0*22.5)	39	16	46	GC-N1 1/4"-H1-(11.0*22.5)
2	3/4"NPT	2 \times (5.0*8.6)	31	14	33	GC-N3/4"-H2-(5.0*8.6)
2	3/4"NPT	2 \times (6.2*11.5)	31	14	33	GC-N3/4"-H2-(6.2*11.5)

G(PF)型扁孔电缆固定头

Flat hole Nylon Cable Gland-G(PF) Type

→ G(PF)



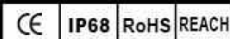
No. of Holes	Thread $\Phi D1$	No. of Holes \times d mm	H mm	GL mm	扳手 mm	GC No.
1	G(PF) 3/4"	1 \times (7.2*13.0)	31	14	33	GC-G3/4"-H1-(7.2*13.0)
1	G(PF) 3/4"	1 \times (8.0*15.0)	31	14	33	GC-G3/4"-H1-(8.0*15.0)
1	G(PF) 3/4"	1 \times (9.6*18.2)	31	14	33	GC-G3/4"-H1-(9.6*18.2)
1	G(PF) 1"	1 \times (11.0*22.5)	39	15	42	GC-G1"-H1-(11.0*22.5)
2	G(PF) 3/4"	2 \times (5.0*8.6)	31	14	33	GC-G3/4"-H2-(5.0*8.6)
2	G(PF) 3/4"	2 \times (6.2*11.5)	31	14	33	GC-G3/4"-H2-(6.2*11.5)



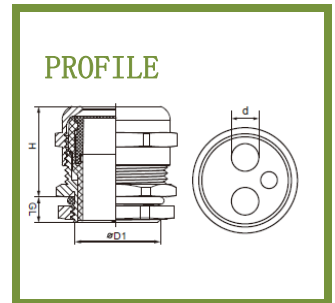
M型/M加长型多孔金属电缆固定头

Multiple-entry Metal Gland-M/M-Length Type

→ M/M-Length



材料:	镀镍黄铜	Material:	Nickel-plated brass
固定连接组件:	采用UL认可的尼龙材料	Fixture pack:	PA(NYLON),UL94V-2
防水圈:	丁腈橡胶,(可定制耐候橡胶)	Hermetic seal:	NBR,(EPDM Upon Request)
O型圈:	耐候橡胶	O-Ring:	EPDM
保护等级:	IP68-10 压力(旋转位置)	Protection degree:	IP68-10 pressure (Rotary position)
工作温度:	-40℃至100℃ 或瞬间可耐热至120℃	Working temperature:	-40℃ to 100℃ Instantaneous heat resistance up to 120℃
孔数:	可根据要求定做	Number of holes:	Could be customized



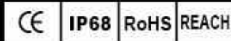
No. of Holes	Thread ΦD1	No. of Holes × d mm	H mm	GL mm	扳手 mm	GC No.	GL (L) mm	GC No.
1	M20B	1×7.5	24	6	24	GC-M20BNR-H1-7.5	10	GC-M20BNRL-H1-7.5
1	M25	1×10.2	25	7	30	GC-M25NR-H1-10.2	12	GC-M25NRL-H1-10.2
1	M25	1×14.5	25	7	30	GC-M25NR-H1-14.5	12	GC-M25NRL-H1-14.5
1	M25	1×15	25	7	30	GC-M25NR-H1-15	12	GC-M25NRL-H1-15
1	M40	1×33	37	8	50	GC-M40NR-H1-33	15	GC-M40NRL-H1-33
2	M16B	2×4	22	6	20	GC-M16BNR-H2-4	10	GC-M16BNRL-H2-4
2	M20S	2×5	23	6	22	GC-M20SNR-H2-5	10	GC-M20SNRL-H2-5
2	M20B	2×5	24	6	24	GC-M20BNR-H2-5	10	GC-M20BNRL-H2-5
2	M20B	2×5.2	24	6	24	GC-M20BNR-H2-5.2	10	GC-M20BNRL-H2-5.2
2	M20B	2×5.5	24	6	24	GC-M20BNR-H2-5.5	10	GC-M20BNRL-H2-5.5
2	M20B	2×5.7	24	6	24	GC-M20BNR-H2-5.7	10	GC-M20BNRL-H2-5.7
2	M20B	2×6	24	6	24	GC-M20BNR-H2-6	10	GC-M20BNRL-H2-6
2	M20B	2×6.7	24	6	24	GC-M20BNR-H2-6.7	10	GC-M20BNRL-H2-6.7
2	M25	2×5.7	25	7	30	GC-M25NR-H2-5.7	12	GC-M25NRL-H2-5.7
2	M25	5+8	25	7	30	GC-M25NR-H2-5.8	12	GC-M25NRL-H2-5.8
2	M25	2×8	25	7	30	GC-M25NR-H2-8	12	GC-M25NRL-H2-8
3	M20S	3×4	23	6	22	GC-M20SNR-H3-4	10	GC-M20SNRL-H3-4
3	M20S	3×6	23	6	22	GC-M20SNR-H3-6	10	GC-M20SNRL-H3-6
3	M25	3×4.5	25	7	30	GC-M25NR-H3-4.5	12	GC-M25NRL-H3-4.5
3	M25	3×7	25	7	30	GC-M25NR-H3-7	12	GC-M25NRL-H3-7
3	M63	3×6.5	38	10	68	GC-M63NR-H3-6.5	15	GC-M63NRL-H3-6.5
3	M32	1×6.7+2×10.2	31	8	40	GC-M32NR-H3-(6.7+10.2)	12	GC-M32NRL-H3-(6.7+10.2)
3	M32	1×7.6+2×11.7	31	8	40	GC-M32NR-H3-(7.6+11.7)	12	GC-M32NRL-H3-(7.6+11.7)
4	M25	4×5.3	25	7	30	GC-M25NR-H4-5.3	12	GC-M25NRL-H4-5.3
4	M25	4×6	25	7	30	GC-M25NR-H4-6	12	GC-M25NRL-H4-6
4	M32	4×7	31	8	40	GC-M32NR-H4-7	12	GC-M32NRL-H4-7
4	M40	4×10	37	8	50	GC-M40NR-H4-10	15	GC-M40NRL-H4-10
5	M32	5×8	31	8	40	GC-M32NR-H5-8	12	GC-M32NRL-H5-8
6	M20S	6×3.5	23	6	22	GC-M20SNR-H6-3.5	10	GC-M20SNRL-H6-3.5
6	M32	6×6	31	8	40	GC-M32NR-H6-6	12	GC-M32NRL-H6-6
8	M40	8×6	37	8	50	GC-M40NR-H8-6	15	GC-M40NRL-H8-6
9	M50	9×9	37	9	57	GC-M50NR-H9-9	15	GC-M50NRL-H9-9
25	M50	25×5	37	9	57	GC-M50NR-H25-5	15	GC-M50NRL-H25-5



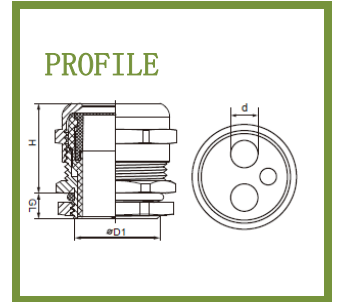
PG型/PG加长型多孔金属电缆固定头

Multiple-entry Metal Gland-PG/PG-Length Type

→ PG/PG-Length



材料:	镀镍黄铜	Material:	Nickel-plated brass
固定连接组件:	采用UL认可的尼龙材料	Fixture pack:	PA(NYLON),UL94V-2
防水圈:	丁腈橡胶,(可定制耐候橡胶)	Hermetic seal:	NBR,(EPDM Upon Request)
O型圈:	耐候橡胶	O-Ring:	EPDM
保护等级:	IP68-10 压力(旋转位置)	Protection degree:	IP68-10 pressure (Rotary position)
工作温度:	-40℃至100℃ 或瞬间可耐热至120℃	Working temperature:	-40℃ to 100℃ Instantaneous heat resistance up to 120℃
孔数:	可根据要求定做	Number of holes:	Could be customized



No. of Holes	Thread ΦD1	No. of Holes × d mm	H mm	GL mm	扳手 mm	GC No.	GL (L) mm	GC No.
1	PG16	1×7.5	24	6.5	24	GC-P16NR-H1-7.5	10	GC-P16NRL-H1-7.5
1	PG21	1×10.2	25	7	30	GC-P21NR-H1-10.2	12	GC-P21NRL-H1-10.2
1	PG21	1×14.5	25	7	30	GC-P21NR-H1-14.5	12	GC-P21NRL-H1-14.5
1	PG21	1×15	25	7	30	GC-P21NR-H1-15	12	GC-P21NRL-H1-15
1	PG36	1×33	37	8	50	GC-P36NR-H1-33	15	GC-P36NRL-H1-33
2	PG11	2×4	22	6	20	GC-P11NR-H2-4	10	GC-P11NRL-H2-4
2	PG13.5	2×5	23	6.5	22	GC-P13.5NR-H2-5	10	GC-P13.5NRL-H2-5
2	PG16	2×5	24	6.5	24	GC-P16NR-H2-5	10	GC-P16NRL-H2-5
2	PG16	2×5.2	24	6.5	24	GC-P16NR-H2-5.2	10	GC-P16NRL-H2-5.2
2	PG16	2×5.5	24	6.5	24	GC-P16NR-H2-5.5	10	GC-P16NRL-H2-5.5
2	PG16	2×5.7	24	6.5	24	GC-P16NR-H2-5.7	10	GC-P16NRL-H2-5.7
2	PG16	2×6	24	6.5	24	GC-P16NR-H2-6	10	GC-P16NRL-H2-6
2	PG16	2×6.7	24	6.5	24	GC-P16NR-H2-6.7	10	GC-P16NRL-H2-6.7
2	PG21	2×5.7	25	7	30	GC-P21NR-H2-5.7	12	GC-P21NRL-H2-5.7
2	PG21	5+8	25	7	30	GC-P21NR-H2-5.8	12	GC-P21NRL-H2-5.8
2	PG21	2×8	25	7	30	GC-P21NR-H2-8	12	GC-P21NRL-H2-8
3	PG13.5	3×4	23	6.5	22	GC-P13.5NR-H3-4	10	GC-P13.5NRL-H3-4
3	PG13.5	3×6	23	6.5	22	GC-P13.5NR-H3-6	10	GC-P13.5NRL-H3-6
3	PG21	3×4.5	25	7	30	GC-P21NR-H3-4.5	12	GC-P21NRL-H3-4.5
3	PG21	3×7	25	7	30	GC-P21NR-H3-7	12	GC-P21NRL-H3-7
3	PG48	3×6.5	38	10	64	GC-P48NR-H3-6.5	15	GC-P48NRL-H3-6.5
3	PG29	1×6.7+2×10.2	31	8	40	GC-P29NR-H3-(6.7+10.2)	12	GC-P29NRL-H3-(6.7+10.2)
3	PG29	1×7.6+2×11.7	31	8	40	GC-P29NR-H3-(7.6+11.7)	12	GC-P29NRL-H3-(7.6+11.7)
4	PG21	4×5.3	25	7	30	GC-P21NR-H4-5.3	12	GC-P21NRL-H4-5.3
4	PG21	4×6	25	7	30	GC-P21NR-H4-6	12	GC-P21NRL-H4-6
4	PG29	4×7	31	8	40	GC-P29NR-H4-7	12	GC-P29NRL-H4-7
4	PG36	4×10	37	8	50	GC-P36NR-H4-10	15	GC-P36NRL-H4-10
5	PG29	5×8	31	8	40	GC-P29NR-H5-8	12	GC-P29NRL-H5-8
6	PG13.5	6×3.5	23	6.5	22	GC-P13.5NR-H6-3.5	10	GC-P13.5NRL-H6-3.5
6	PG29	6×6	31	8	40	GC-P29NR-H6-6	12	GC-P29NRL-H6-6
8	PG36	8×6	37	8	50	GC-P36NR-H8-6	15	GC-P36NRL-H8-6
9	PG42	9×9	37	9	57	GC-P42NR-H9-9	15	GC-P42NRL-H9-9
25	PG42	25×5	37	9	57	GC-P42NR-H25-5	15	GC-P42NRL-H25-5



NPT型多孔金属电缆固定头

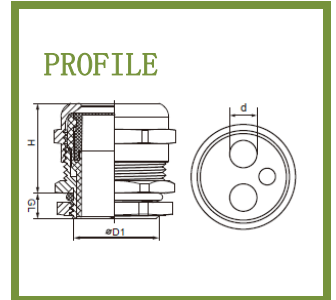
Multiple-entry Metal Gland-NPT Type

→ NPT

CE IP68 RoHS REACH



材料:	镀镍黄铜	Material:	Nickel-plated brass
固定连接组件:	采用UL认可的尼龙材料	Fixture pack:	PA(NYLON),UL94V-2
防水圈:	丁腈橡胶,(可定制耐候橡胶)	Hermetic seal:	NBR,(EPDM Upon Request)
O型圈:	耐候橡胶	O-Ring:	EPDM
保护等级:	IP68-10 压力(旋转位置)	Protection degree:	IP68-10 pressure (Rotary position)
工作温度:	-40℃至100℃ 或瞬间可耐热至120℃	Working temperature:	-40℃ to 100℃ Instantaneous heat resistance up to 120℃
孔数:	可根据要求定做	Number of holes:	Could be customized



No. of Holes	Thread ΦD1	No. of Holes × d mm	H mm	GL mm	扳手 mm	GC No.
1	1/2"NPT/E	1×7.5	24	13	24	GC-N1/2"ENR-H1-7.5
1	3/4"NPT	1×10.2	25	13	30	GC-N3/4"NR-H1-10.2
1	3/4"NPT	1×14.5	25	13	30	GC-N3/4"NR-H1-14.5
1	3/4"NPT	1×15	25	13	30	GC-N3/4"NR-H1-15
1	1 1/2"NPT	1×33	37	20	50	GC-N1 1/2"NRH1-33
2	1/2"NPT	2×5	23	13	22	GC-N1/2"NR-H2-5
2	1/2"NPT/E	2×5	24	13	24	GC-N1/2"ENR-H2-5
2	1/2"NPT/E	2×5.2	24	13	24	GC-N1/2"ENR-H2-5.2
2	1/2"NPT/E	2×5.5	24	13	24	GC-N1/2"ENR-H2-5.5
2	1/2"NPT/E	2×5.7	24	13	24	GC-N1/2"ENR-H2-5.7
2	1/2"NPT/E	2×6	24	13	24	GC-N1/2"ENR-H2-6
2	1/2"NPT/E	2×6.7	24	13	24	GC-N1/2"ENR-H2-6.7
2	3/4"NPT	2×5.7	25	13	30	GC-N3/4"NR-H2-5.7
2	3/4"NPT	5+8	25	13	30	GC-N3/4"NR-H2-5.8
2	3/4"NPT	2×8	25	13	30	GC-N3/4"NR-H2-8
3	1/2"NPT	3×4	23	13	22	GC-N1/2"NR-H3-4
3	1/2"NPT	3×6	23	13	22	GC-N1/2"NR-H3-6
3	3/4"NPT	3×4.5	25	13	30	GC-N3/4"NR-H3-4.5
3	3/4"NPT	3×7	25	13	30	GC-N3/4"NR-H3-7
3	1"NPT	1×6.7+2×10.2	29	15	40	GC-N1"NR-H3-(6.7+10.2)
3	1 1/4"NPT	1×6.7+2×10.2	31	17	44	GC-N1 1/4"NR-H3-(6.7+10.2)
3	1"NPT	1×7.6+2×11.7	29	15	40	GC-N1"NR-H3-(7.6+11.7)
3	1 1/4"NPT	1×7.6+2×11.7	31	17	44	GC-N1 1/4"NR-H3-(7.6+11.7)
4	3/4"NPT	4×5.3	25	13	30	GC-N3/4"NR-H4-5.3
4	3/4"NPT	4×6	25	13	30	GC-N3/4"NR-H4-6
4	1"NPT	4×7	31	15	40	GC-N1"NR-H4-7
4	1 1/4"NPT	4×7	31	17	44	GC-N1 1/4"NR-H4-7
4	1 1/2"NPT	4×10	37	20	50	GC-N1 1/2"NR-H4-10
5	1"NPT	5×8	29	15	40	GC-N1"NR-H5-8
5	1 1/4"NPT	5×8	31	17	44	GC-N1 1/4"NR-H5-8
6	1/2"NPT	6×3.5	23	13	22	GC-N1/2"NR-H6-3.5
6	1"NPT	6×6	29	15	40	GC-N1"NR-H6-6
6	1 1/4"NPT	6×6	31	17	44	GC-N1 1/4"NR-H6-6
8	1 1/2"NPT	8×6	37	20	50	GC-N1 1/2"NR-H8-6



G (PF) 型多孔金属电缆固定头

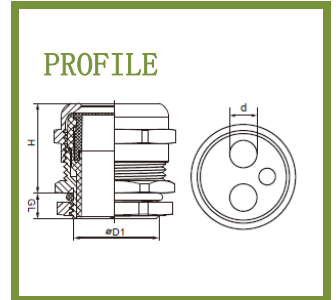
Multiple-entry Metal Gland-G (PF) Type

→ G(PF)

CE IP68 RoHS REACH



材料:	镀镍黄铜	Material:	Nickel-plated brass
固定连接组件:	采用UL认可的尼龙材料	Fixture pack:	PA(NYLON),UL94V-2
防水圈:	丁腈橡胶,(可定制耐候橡胶)	Hermetic seal:	NBR,(EPDM Upon Request)
O型圈:	耐候橡胶	O-Ring:	EPDM
保护等级:	IP68-10 压力 (旋转位置)	Protection degree:	IP68-10 pressure (Rotary position)
工作温度:	-40℃至100℃ 或瞬间可耐热至120℃	Working temperature:	-40℃ to 100℃ Instantaneous heat resistance up to 120℃
孔数:	可根据要求定做	Number of holes:	Could be customized



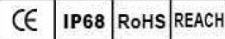
No. of Holes	Thread ΦD1	No. of Holes × d mm	H mm	GL mm	扳手 mm	GC No.
1	G (PF) 3/4"	1×10.2	25	12	30	GC-G3/4"NR-H1-10.2
1	G (PF) 3/4"	1×14.5	25	12	30	GC-G3/4"NR-H1-14.5
1	G (PF) 3/4"	1×15	25	12	30	GC-G3/4"NR-H1-15
1	G (PF) 1 1/2"	1×33	37	15	50	GC-G1 1/2"NR-H1-33
2	G (PF) 1/2"	2×5	23	9	22	GC-G1/2"NR-H2-5
2	G (PF) 3/4"	2×5.7	25	12	30	GC-G3/4"NR-H2-5.7
2	G (PF) 3/4"	5+8	25	12	30	GC-G3/4"NR-H2-5.8
2	G (PF) 3/4"	2×8	25	12	30	GC-G3/4"NR-H2-8
3	G (PF) 1/2"	3×4	23	9	22	GC-G1/2"NR-H3-4
3	G (PF) 1/2"	3×6	23	9	22	GC-G1/2"NR-H3-6
3	G (PF) 3/4"	3×4.5	25	12	30	GC-G3/4"NR-H3-4.5
3	G (PF) 3/4"	3×7	25	12	30	GC-G3/4"NR-H3-7
3	G (PF) 2"	3×6.5	38	15	68	GC-G2"NR-H3-6.5
3	G (PF) 1"	1×6.7+2×10.2	31	12	40	GC-G1"NR-H3-(6.7+10.2)
3	G (PF) 1"	1×7.6+2×11.7	31	12	40	GC-G1"NR-H3-(7.6+11.7)
4	G (PF) 3/4"	4×5.3	25	12	30	GC-G3/4"NR-H4-5.3
4	G (PF) 3/4"	4×6	25	12	30	GC-G3/4"NR-H4-6
4	G (PF) 1"	4×7	31	12	40	GC-G1"NR-H4-7
4	G (PF) 1 1/4"	4×10	37	15	50	GC-G1 1/4"NR-H4-10
5	G (PF) 1"	5×8	31	12	40	GC-G1"NR-H5-8
6	G (PF) 1/2"	6×3.5	23	9	22	GC-G1/2"NR-H6-3.5
6	G (PF) 1"	6×6	31	12	40	GC-G1"NR-H6-6
8	G (PF) 1/4"	8×6	37	15	50	GC-G1 1/4"NR-H8-6
9	G (PF) 1/2"	9×9	37	15	57	GC-G1 1/2"NR-H9-9
25	G (PF) 1/2"	25×5	37	15	57	GC-G1 1/2"NR-H25-5



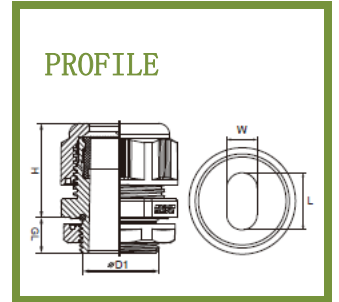
M型/M加长型扁孔金属电缆固定头

Flat hole Metal Cable Gland-M/M-Length Type

→ M/M-Length



材料:	镀镍黄铜	Material:	Nickel-plated brass
固定连接组件:	采用UL认可的尼龙材料	Fixture pack:	PA(NYLON),UL94V-2
防水圈:	丁腈橡胶,(可定制耐候橡胶)	Hermetic seal:	NBR,(EPDM Upon Request)
O型圈:	耐候橡胶	O-Ring:	EPDM
保护等级:	IP68-10 压力(旋转位置)	Protection degree:	IP68-10 pressure (Rotary position)
工作温度:	-40℃至100℃ 或瞬间可耐热至120℃	Working temperature:	-40℃ to 100℃ Instantaneous heat resistance up to 120℃
孔数:	可根据要求定做	Number of holes:	Could be customized

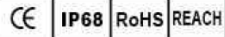


No. of Holes	Thread ΦD1	No. of Holes × d mm	H mm	GL mm	扳手 mm	GC No.	GL(L) mm	GC No.
1	M25	1 × (7.2*13.0)	25	7	30	GC-M25NR-H1-(7.2*13.0)	12	GC-M25NRL-H1-(7.2*13.0)
1	M25	1 × (8.0*15.0)	25	7	30	GC-M25NR-H1-(8.0*15.0)	12	GC-M25NRL-H1-(8.0*15.0)
1	M25	1 × (9.6*18.2)	25	7	30	GC-M25NR-H1-(9.6*18.2)	12	GC-M25NRL-H1-(9.6*18.2)
1	M32	1 × (11.0*22.5)	31	8	40	GC-M32NR-H1-(11.0*22.5)	12	GC-M32NRL-H1-(11.0*22.5)
2	M25	2 × (5.0*8.6)	25	7	30	GC-M25NR-H2-(5.0*8.6)	12	GC-M25NRL-H2-(5.0*8.6)
2	M25	2 × (6.2*11.5)	25	7	30	GC-M25NR-H2-(6.2*11.5)	12	GC-M25NRL-H2-(6.2*11.5)

PG型/PG加长型扁孔金属电缆固定头

Flat hole Metal Cable Gland-PG/PG-Length Type

→ PG/PG-Length



No. of Holes	Thread ΦD1	No. of Holes × d mm	H mm	GL mm	扳手 mm	GC No.	GL(L) mm	GC No.
1	PG21	1 × (7.2*13.0)	25	7	30	GC-P21NR-H1-(7.2*13.0)	12	GC-P21NRL-H1-(7.2*13.0)
1	PG21	1 × (8.0*15.0)	25	7	30	GC-P21NR-H1-(8.0*15.0)	12	GC-P21NRL-H1-(8.0*15.0)
1	PG21	1 × (9.6*18.2)	25	7	30	GC-P21NR-H1-(9.6*18.2)	12	GC-P21NRL-H1-(9.6*18.2)
1	PG29	1 × (11.0*22.5)	31	8	40	GC-P29NR-H1-(11.0*22.5)	12	GC-P29NRL-H1-(11.0*22.5)
2	PG21	2 × (5.0*8.6)	25	7	30	GC-P21NR-H2-(5.0*8.6)	12	GC-P21NRL-H2-(5.0*8.6)
2	PG21	2 × (6.2*11.5)	25	7	30	GC-P21NR-H2-(6.2*11.5)	12	GC-P21NRL-H2-(6.2*11.5)



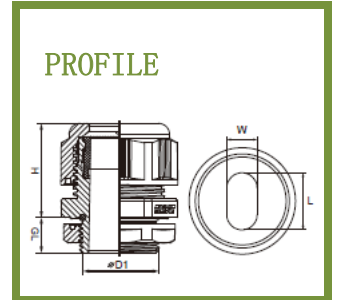
NPT型扁孔金属电缆固定头

Flat hole Metal Cable Gland-NPT Type

→ NPT

CE IP68 RoHS REACH

材料:	镀镍黄铜	Material:	Nickel-plated brass
固定连接组件:	采用UL认可的尼龙材料	Fixture pack:	PA(NYLON),UL94V-2
防水圈:	丁腈橡胶,(可定制耐候橡胶)	Hermetic seal:	NBR,(EPDM Upon Request)
O型圈:	耐候橡胶	O-Ring:	EPDM
保护等级:	IP68-10 压力(旋转位置)	Protection degree:	IP68-10 pressure (Rotary position)
工作温度:	-40℃至100℃ 或瞬间可耐热至120℃	Working temperature:	-40℃ to 100℃ Instantaneous heat resistance up to 120℃
孔数:	可根据要求定做	Number of holes:	Could be customized



No. of Holes	Thread ΦD1	No. of Holes × d mm	H mm	GL mm	扳手 mm	GC No.
1	3/4"NPT	1 × (7.2*13.0)	25	13	30	GC-N3/4"NR-H1-(7.2*13.0)
1	3/4"NPT	1 × (8.0*15.0)	25	13	30	GC-N3/4"NR-H1-(8.0*15.0)
1	3/4"NPT	1 × (9.6*18.2)	25	13	30	GC-N3/4"NR-H1-(9.6*18.2)
1	1"NPT	1 × (11.0*22.5)	29	15	40	GC-N1"NR-H1-(11.0*22.5)
1	1 1/4"NPT	1 × (11.0*22.5)	31	17	44	GC-N1 1/4"NR-H1-(11.0*22.5)
2	3/4"NPT	2 × (5.0*8.6)	25	13	30	GC-N3/4"NR-H2-(5.0*8.6)
2	3/4"NPT	2 × (6.2*11.5)	25	13	30	GC-N3/4"NR-H2-(6.2*11.5)

G(PF)型扁孔金属电缆固定头

Flat hole Metal Cable Gland-G(PF) Type

→ G(PF)

CE IP68 RoHS REACH

No. of Holes	Thread ΦD1	No. of Holes × d mm	H mm	GL mm	扳手 mm	GC No.
1	G(PF) 3/4"	1 × (7.2*13.0)	25	7	30	GC-G3/4"NR-H1-(7.2*13.0)
1	G(PF) 3/4"	1 × (8.0*15.0)	25	7	30	GC-G3/4"NR-H1-(8.0*15.0)
1	G(PF) 3/4"	1 × (9.6*18.2)	25	7	30	GC-G3/4"NR-H1-(9.6*18.2)
1	G(PF) 1"	1 × (11.0*22.5)	31	8	40	GC-G1"NR-H1-(11.0*22.5)
2	G(PF) 3/4"	2 × (5.0*8.6)	25	7	30	GC-G3/4"NR-H2-(5.0*8.6)
2	G(PF) 3/4"	2 × (6.2*11.5)	25	7	30	GC-G3/4"NR-H2-(6.2*11.5)



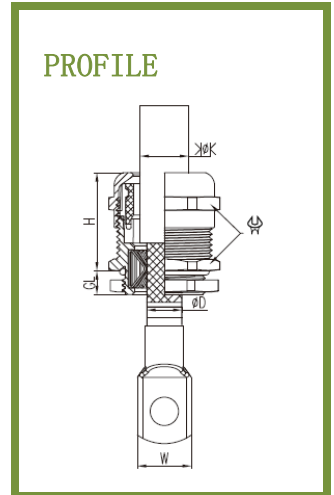
M型屏蔽金属电缆固定头 S型

Metric EMC Metal Cable Gland-S Type

→ M



材料:	镀镍黄铜	Material:	Nickel-plated brass
弹簧材料:	不锈钢	Spring:	Stainless steel
固定连接组件:	采用UL认可的尼龙材料	Fixture pack:	PA(NYLON),UL94V-2
防水圈:	丁腈橡胶,(可定制耐候橡胶)	Hermetic seal:	NBR,(EPDM Upon Request)
O型圈:	耐候橡胶	O-Ring:	EPDM
保护等级:	IP68-10 压力(旋转位置)	Protection degree:	IP68-10 pressure (Rotary position)
工作温度:	-40℃至100℃ 或瞬间可耐热至120℃	Working temperature:	-40℃ to 100℃ Instantaneous heat resistance up to 120℃



Thread ΦD1	线径 mm	ΦD mm	H mm	GL mm	扳手 mm	W mm	GC No.
M12×1.5	3-6.5	3.5-4.5	19	6.5	14	6	GC-M1207NR-EMC-S
M12×1.5	2-5	3.5-4.5	19	6.5	14	6	GC-M1205NR-EMC-S
M16×1.5	4-8	3.5-5.5	21	6	17/19	8	GC-M1608NR-EMC-S
M16×1.5	2-6	3.5-5.5	21	6	17/19	8	GC-M1606NR-EMC-S
M16×1.5	5-10	3.5-5.5	22	6	20	9	GC-M1610NR-EMC-S
M20×1.5	6-12	6-11	23	6	22	12	GC-M2012NR-EMC-S
M20×1.5	5-9	6-11	23	6	22	12	GC-M2009NR-EMC-S
M20×1.5	10-14	6-11	24	6	24	13	GC-M2014NR-EMC-S
M25×1.5	13-18	9-14	29	7	30	17	GC-M2518NR-EMC-S
M25×1.5	9-16	9-14	29	7	30	17	GC-M2516NR-EMC-S
M32×1.5	18-25	15-19	31	8	40	23	GC-M3225NR-EMC-S
M32×1.5	13-20	15-19	31	8	40	23	GC-M3220NR-EMC-S
M40×1.5	22-32	19.5-24	37	8	50	30	GC-M4032NR-EMC-S
M40×1.5	20-26	19.5-24	37	8	50	30	GC-M4026NR-EMC-S
M50×1.5	32-38	27.5-33	37	9	57	37	GC-M5038NR-EMC-S
M50×1.5	25-31	27.5-33	37	9	57	37	GC-M5031NR-EMC-S
M63×1.5	37-44	31-35	38	10	64/68	44	GC-M6344NR-EMC-S
M63×1.5	29-35	31-35	38	10	64/68	44	GC-M6335NR-EMC-S
M75×1.5	48-56	46-53	40	15	81		GC-M7556NR-EMC-S
M75×1.5	41-48	46-53	40	15	81		GC-M7548NR-EMC-S
M85×2.0	62-70	60-67	42	15	95		GC-M8570NR-EMC-S
M85×2.0	54-64	60-67	42	15	95		GC-M8564NR-EMC-S



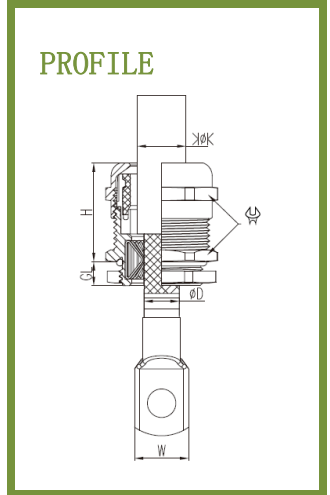
M加长型屏蔽金属电缆固定头 S型

M-Length EMC Metal Cable Gland-S Type

→ M-Length



材料:	镀镍黄铜	Material:	Nickel-plated brass
弹簧材料:	不锈钢	Spring:	Stainless steel
固定连接组件:	采用UL认可的尼龙材料	Fixture pack:	PA(NYLON),UL94V-2
防水圈:	丁腈橡胶,(可定制耐候橡胶)	Hermetic seal:	NBR,(EPDM Upon Request)
O型圈:	耐候橡胶	O-Ring:	EPDM
保护等级:	IP68-10 压力 (旋转位置)	Protection degree:	IP68-10 pressure (Rotary position)
工作温度:	-40℃至100℃ 或瞬间可耐热至120℃	Working temperature:	-40℃ to 100℃ Instantaneous heat resistance up to 120℃



Thread ΦD1	线径 mm	ΦD mm	H mm	GL mm	扳手 mm	W mm	GC No.
M12×1.5	3-6.5	3.5-4.5	19	10	14	6	GC-M1207NRL-EMC-S
M12×1.5	2-5	3.5-4.5	19	10	14	6	GC-M1205NRL-EMC-S
M16×1.5	4-8	3.5-5.5	21	10	17/19	8	GC-M1608NRL-EMC-S
M16×1.5	2-6	3.5-5.5	21	10	17/19	8	GC-M1606NRL-EMC-S
M16×1.5	5-10	3.5-5.5	22	10	20	9	GC-M1610NRL-EMC-S
M20×1.5	6-12	6-11	23	10	22	12	GC-M2012NRL-EMC-S
M20×1.5	5-9	6-11	23	10	22	12	GC-M2009NRL-EMC-S
M20×1.5	10-14	6-11	24	10	24	13	GC-M2014NRL-EMC-S
M25×1.5	13-18	9-14	29	12	30	17	GC-M2518NRL-EMC-S
M25×1.5	9-16	9-14	29	12	30	17	GC-M2516NRL-EMC-S
M32×1.5	18-25	15-19	31	12	40	23	GC-M3225NRL-EMC-S
M32×1.5	13-20	15-19	31	12	40	23	GC-M3220NRL-EMC-S
M40×1.5	22-32	19.5-24	37	15	50	30	GC-M4032NRL-EMC-S
M40×1.5	20-26	19.5-24	37	15	50	30	GC-M4026NRL-EMC-S
M50×1.5	32-38	27.5-33	37	15	57	37	GC-M5038NRL-EMC-S
M50×1.5	25-31	27.5-33	37	15	57	37	GC-M5031NRL-EMC-S
M63×1.5	37-44	31-35	38	15	64/68	44	GC-M6344NRL-EMC-S
M63×1.5	29-35	31-35	38	15	64/68	44	GC-M6335NRL-EMC-S
M75×1.5	48-56	46-53	40	20	81		GC-M7556NRL-EMC-S
M75×1.5	41-48	46-53	40	20	81		GC-M7548NRL-EMC-S
M85×2.0	62-70	60-67	42	20	95		GC-M8570NRL-EMC-S
M85×2.0	54-64	60-67	42	20	95		GC-M8564NRL-EMC-S



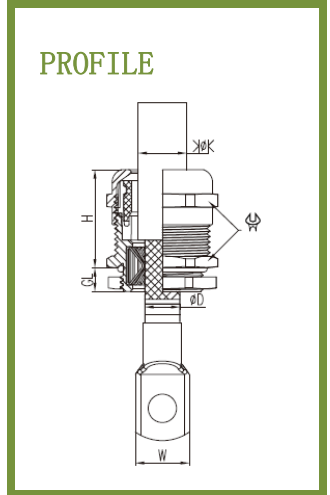
PG型屏蔽金属电缆固定头 S型

PG EMC Metal Cable Gland-S Type

→ PG



材料:	镀镍黄铜	Material:	Nickel-plated brass
弹簧材料:	不锈钢	Spring:	Stainless steel
固定连接组件:	采用UL认可的尼龙材料	Fixture pack:	PA(NYLON),UL94V-2
防水圈:	丁腈橡胶,(可定制耐候橡胶)	Hermetic seal:	NBR,(EPDM Upon Request)
O型圈:	耐候橡胶	O-Ring:	EPDM
保护等级:	IP68-10 压力(旋转位置)	Protection degree:	IP68-10 pressure (Rotary position)
工作温度:	-40℃至100℃	Working temperature:	-40℃ to 100℃
	或瞬间可耐热至120℃		Instantaneous heat resistance up to 120℃



Thread ΦD1	线径 mm	ΦD mm	H mm	GL mm	扳手 mm	W mm	GC No.
PG7	3-6.5	3.5-4.5	19	5	14	6	GC-P707NR-EMC-S
PG7	2-5	3.5-4.5	19	5	14	6	GC-P705NR-EMC-S
PG9	4-8	3.5-5.5	21	6	17	8	GC-P908NR-EMC-S
PG9	2-6	3.5-5.5	21	6	17	8	GC-P906NR-EMC-S
PG11	5-10	3.5-5.5	22	6	20	9	GC-P1110NR-EMC-S
PG11	3-7	3.5-5.5	22	6	20	9	GC-P1107NR-EMC-S
PG13.5	6-12	6-11	23	6.5	22	12	GC-P13512NR-EMC-S
PG13.5	5-9	6-11	23	6.5	22	12	GC-P13509NR-EMC-S
PG16	10-14	6-11	24	6.5	24	13	GC-P1614NR-EMC-S
PG16	7-12	6-11	24	6.5	24	13	GC-P1612NR-EMC-S
PG21	13-18	9-14	29	7	30	17	GC-P2118NR-EMC-S
PG21	9-16	9-14	29	7	30	17	GC-P2116NR-EMC-S
PG29	18-25	15-19	31	8	40	23	GC-P2925NR-EMC-S
PG29	13-20	15-19	31	8	40	23	GC-P2920NR-EMC-S
PG36	22-32	19.5-24	37	8	50	30	GC-P3632NR-EMC-S
PG36	20-26	19.5-24	37	8	50	30	GC-P3626NR-EMC-S
PG42	32-38	27.5-33	37	9	57	37	GC-P4238NR-EMC-S
PG42	25-31	27.5-33	37	9	57	37	GC-P4231NR-EMC-S
PG48	37-44	31-35	38	10	64	44	GC-P4844NR-EMC-S
PG48	29-35	31-35	38	10	64	44	GC-P4835NR-EMC-S



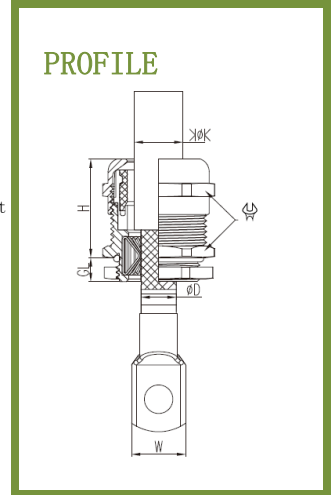
PG加长型屏蔽金属电缆固定头 S型

PG-Length EMC Metal Cable Gland-S Type

→ PG-Length



材料:	镀镍黄铜	Material:	Nickel-plated brass
弹簧材料:	不锈钢	Spring:	Stainless steel
固定连接组件:	采用UL认可的尼龙材料	Fixture pack:	PA(NYLON),UL94V-2
防水圈:	丁腈橡胶,(可定制耐候橡胶)	Hermetic seal:	NBR,(EPDM Upon Request)
O型圈:	耐候橡胶	O-Ring:	EPDM
保护等级:	IP68-10 压力(旋转位置)	Protection degree:	IP68-10 pressure (Rotary position)
工作温度:	-40℃至100℃ 或瞬间可耐热至120℃	Working temperature:	-40℃ to 100℃ Instantaneous heat resistance up to 120℃



Thread ΦD1	线径 mm	ΦD mm	H mm	GL mm	扳手 mm	W mm	GC No.
PG7	3-6.5	3.5-4.5	19	10	14	6	GC-P707NRL-EMC-S
PG7	2-5	3.5-4.5	19	10	14	6	GC-P705NRL-EMC-S
PG9	4-8	3.5-5.5	21	10	17	8	GC-P908NRL-EMC-S
PG9	2-6	3.5-5.5	21	10	17	8	GC-P906NRL-EMC-S
PG11	5-10	3.5-5.5	22	10	20	9	GC-P1110NRL-EMC-S
PG11	3-7	3.5-5.5	22	10	20	9	GC-P1107NRL-EMC-S
PG13.5	6-12	6-11	23	10	22	12	GC-P13512NRL-EMC-S
PG13.5	5-9	6-11	23	10	22	12	GC-P13509NRL-EMC-S
PG16	10-14	6-11	24	10	24	13	GC-P1614NRL-EMC-S
PG16	7-12	6-11	24	10	24	13	GC-P1612NRL-EMC-S
PG21	13-18	9-14	29	12	30	17	GC-P2118NRL-EMC-S
PG21	9-16	9-14	29	12	30	17	GC-P2116NRL-EMC-S
PG29	18-25	15-19	31	12	40	23	GC-P2925NRL-EMC-S
PG29	13-20	15-19	31	12	40	23	GC-P2920NRL-EMC-S
PG36	22-32	19.5-24	37	15	50	30	GC-P3632NRL-EMC-S
PG36	20-26	19.5-24	37	15	50	30	GC-P3626NRL-EMC-S
PG42	32-38	27.5-33	37	15	57	37	GC-P4238NRL-EMC-S
PG42	25-31	27.5-33	37	15	57	37	GC-P4231NRL-EMC-S
PG48	37-44	31-35	38	15	64	44	GC-P4844NRL-EMC-S
PG48	29-35	31-35	38	15	64	44	GC-P4835NRL-EMC-S



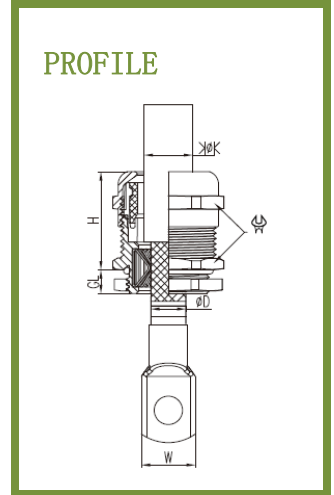
NPT型屏蔽金属电缆固定头 S型

NPT EMC Metal Cable Gland-S Type

→ NPT



材料:	镀镍黄铜	Material:	Nickel-plated brass
弹簧材料:	不锈钢	Spring:	Stainless steel
固定连接组件:	采用UL认可的尼龙材料	Fixture pack:	PA(NYLON),UL94V-2
防水圈:	丁腈橡胶,(可定制耐候橡胶)	Hermetic seal:	NBR,(EPDM Upon Request)
O型圈:	耐候橡胶	O-Ring:	EPDM
保护等级:	IP68-10 压力(旋转位置)	Protection degree:	IP68-10 pressure (Rotary position)
工作温度:	-40℃至100℃ 或瞬间可耐热至120℃	Working temperature:	-40℃ to 100℃ Instantaneous heat resistance up to 120℃



Thread ΦD1	线径 mm	ΦD mm	H mm	GL mm	扳手 mm	W mm	GC No.
1/4"NPT	3-6.5	3.5-4.5	19	13	14	6	GC-N1407NR-EMC-S
1/4"NPT	2-5	3.5-4.5	19	13	14	6	GC-N1405NR-EMC-S
3/8"NPT	5-10	3.5-5.5	22	15	20	9	GC-N3810NR-EMC-S
3/8"NPT	3-7	3.5-5.5	22	15	20	9	GC-N3807NR-EMC-S
1/2"NPT	6-12	6-12	23	13	22	12	GC-N1212NR-EMC-S
1/2"NPT	5-9	6-12	23	13	22	12	GC-N1209NR-EMC-S
1/2"NPT/E	10-14	6-12	24	13	24	13	GC-N1214NR-EMC-S
1/2"NPT/E	7-12	6-11	24	13	24	13	GC-N12712NR-EMC-S
3/4"NPT	13-18	9-14	25	13	30	17	GC-N3418NR-EMC-S
3/4"NPT	9-16	9-14	25	13	30	17	GC-N3416NR-EMC-S
1"NPT	18-25	15-19	31	15	40	23	GC-N10025NR-EMC-S
1"NPT	13-20	15-19	31	15	40	23	GC-N10020NR-EMC-S
1-1/4"NPT	18-25	15-19	31	17	40/44	23	GC-N11425NR-EMC-S
1-1/4"NPT	13-20	15-19	31	17	40/44	23	GC-N11420NR-EMC-S
1-1/2"NPT	22-32	19.5-24	37	20	50	30	GC-N11232NR-EMC-S
1-1/2"NPT	20-26	19.5-24	37	20	50	30	GC-N11226NR-EMC-S
2"NPT	37-44	31-35	38	21	64	44	GC-N20044NR-EMC-S
2"NPT	29-35	31-35	38	21	64	44	GC-N20035NR-EMC-S



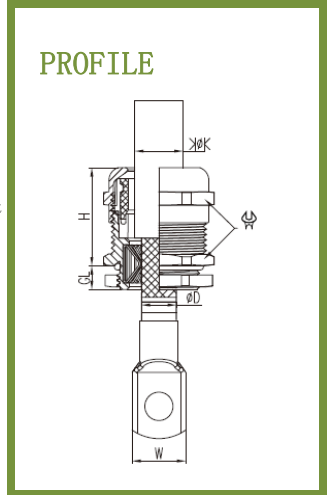
G (PF) 型屏蔽金属电缆固定头 S型

G (PF) EMC Metal Cable Gland-S Type

→ G(PF)



材料:	镀镍黄铜	Material:	Nickel-plated brass
弹簧材料:	不锈钢	Spring:	Stainless steel
固定连接组件:	采用UL认可的尼龙材料	Fixture pack:	PA(NYLON),UL94V-2
防水圈:	丁腈橡胶, (可定制耐候橡胶)	Hermetic seal:	NBR, (EPDM Upon Request)
O型圈:	耐候橡胶	O-Ring:	EPDM
保护等级:	IP68-10 压力 (旋转位置)	Protection degree:	IP68-10 pressure (Rotary position)
工作温度:	-40℃至100℃ 或瞬间可耐热至120℃	Working temperature:	-40℃ to 100℃ Instantaneous heat resistance up to 120℃



Thread ΦD1	线径 mm	ΦD mm	H mm	GL mm	扳手 mm	W mm	GC No.
G (PF) 1/4"	3-6.5	3.5-4.5	19	8	14	6	GC-G1407NR-EMC-S
G (PF) 1/4"	2-5	3.5-4.5	19	8	14	6	GC-G1405NR-EMC-S
G (PF) 3/8"	5-10	3.5-5.5	22	9	20	9	GC-G3810NR-EMC-S
G (PF) 3/8"	3-7	3.5-5.5	22	9	20	9	GC-G3807NR-EMC-S
G (PF) 1/2"	10-14	6-12	24	9	24	13	GC-G1214NR-EMC-S
G (PF) 1/2"	7-12	6-12	24	9	24	13	GC-G1212NR-EMC-S
G (PF) 3/4"	13-18	9-14	25	12	30	17	GC-G3418NR-EMC-S
G (PF) 3/4"	9-16	9-14	25	12	30	17	GC-G3416NR-EMC-S
G (PF) 1"	18-25	15-19	31	12	40	23	GC-G10025NR-EMC-S
G (PF) 1"	13-20	15-19	31	12	40	23	GC-G10020NR-EMC-S
G (PF) 1 1/4"	22-32	19.5-24	37	15	50	30	GC-G11432NR-EMC-S
G (PF) 1 1/4"	20-26	19.5-24	37	15	50	30	GC-G11426NR-EMC-S
G (PF) 1 1/2"	32-38	27.5-33	37	15	57	37	GC-G11238NR-EMC-S
G (PF) 1 1/2"	25-31	27.5-33	37	15	57	37	GC-G11231NR-EMC-S
G (PF) 2"	37-44	31-35	38	15	64	44	GC-G20044NR-EMC-S
G (PF) 2"	29-35	31-35	38	15	64	44	GC-G20035NR-EMC-S



M型屏蔽金属电缆固定头 R型

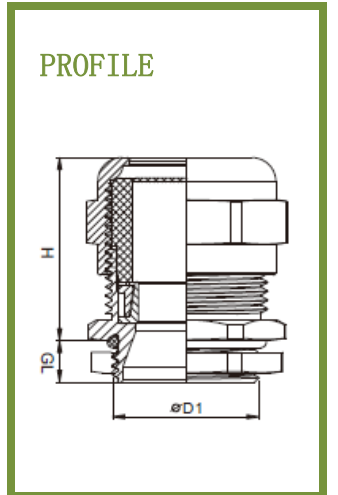
Metric EMC Metal Cable Gland-R Type

→ M

CE IP68/IP69K RoHS REACH



材料:	镀镍黄铜	Material:	Nickel-plated brass
固定连接组件:	采用UL认可的尼龙材料	Fixture pack:	PA(NYLON),UL94V-2
防水圈:	丁腈橡胶,(可定制耐候橡胶)	Hermetic seal:	NBR,(EPDM Upon Request)
O型圈:	耐候橡胶	O-Ring:	EPDM
保护等级:	IP68-10 压力(旋转位置)	Protection degree:	IP68-10 pressure (Rotary position)
工作温度:	-40℃至100℃ 或瞬间可耐热至120℃	Working temperature:	-40℃ to 100℃ Instantaneous heat resistance up to 120℃



Thread ΦD1	线径 mm	H mm	GL mm	扳手 mm	GC No.
M12×1.5	3-6.5	23	6.5	17	GC-M1207NR-EMC-R
M12×1.5	2-5	23	6.5	17	GC-M1205NR-EMC-R
M16×1.5	4-8	25	6	20	GC-M1608NR-EMC-R
M16×1.5	2-6	25	6	20	GC-M1606NR-EMC-R
M16×1.5	5-10	25	6	20	GC-M1610NR-EMC-R
M16×1.5	3-7	25	6	20	GC-M1607NR-EMC-R
M20×1.5	6-12	28	6	24	GC-M2012NR-EMC-R
M20×1.5	5-9	28	6	24	GC-M2009NR-EMC-R
M20×1.5	10-14	28	6	24	GC-M2014NR-EMC-R
M20×1.5	7-12	28	6	24	GC-M2012NR-EMC-R
M25×1.5	13-18	30	7	30	GC-M2518NR-EMC-R
M25×1.5	9-16	30	7	30	GC-M2516NR-EMC-R
M32×1.5	18-21	36	8	34	GC-M3221NR-EMC-R
M32×1.5	13-20	36	8	34	GC-M3220NR-EMC-R
M40×1.5	20-28	39	8	50	GC-M3228NR-EMC-R
M40×1.5	18-26	39	8	50	GC-M3226NR-EMC-R
M50×1.5	30-35.5	41	9	57	GC-M3235NR-EMC-R
M50×1.5	25-31	41	9	57	GC-M3231NR-EMC-R



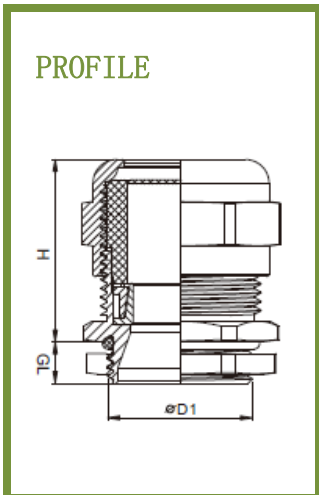
M加长型屏蔽金属电缆固定头 R型

M-Length EMC Metal Cable Gland-R Type

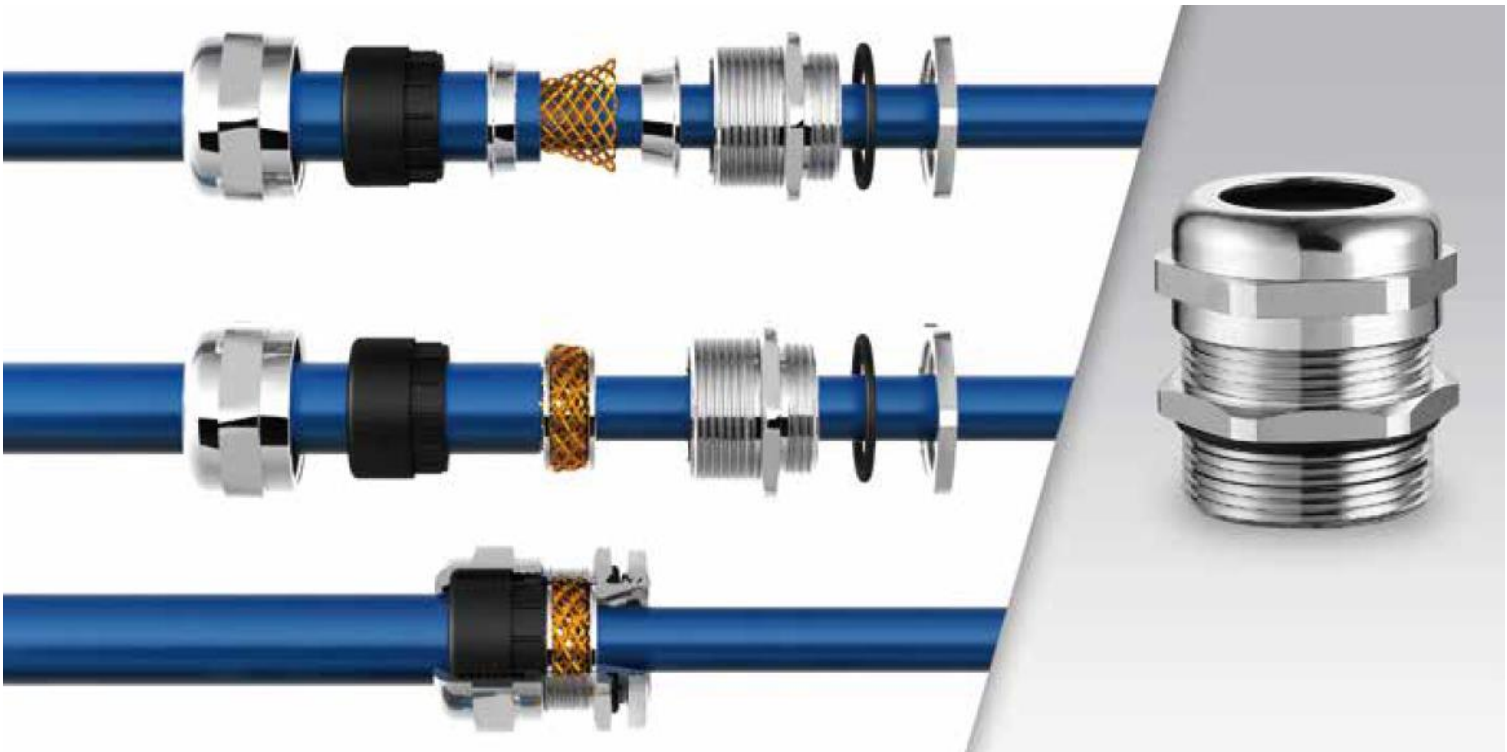
→ M-Length



材料:	镀镍黄铜	Material:	Nickel-plated brass
固定连接组件:	采用UL认可的尼龙材料	Fixture pack:	PA(NYLON),UL94V-2
防水圈:	丁腈橡胶,(可定制耐候橡胶)	Hermetic seal:	NBR,(EPDM Upon Request)
O型圈:	耐候橡胶	O-Ring:	EPDM
保护等级:	IP68-10 压力(旋转位置)	Protection degree:	IP68-10 pressure (Rotary position)
工作温度:	-40℃至100℃ 或瞬间可耐热至120℃	Working temperature:	-40℃ to 100℃ Instantaneous heat resistance up to 120℃



Thread ΦD1	线径 mm	H mm	GL mm	扳手 mm	GC No.
M12×1.5	3-6.5	23	10	17	GC-M1207NRL-EMC-R
M12×1.5	2-5	23	10	17	GC-M1205NRL-EMC-R
M16×1.5	4-8	25	10	20	GC-M1608NRL-EMC-R
M16×1.5	2-6	25	10	20	GC-M1606NRL-EMC-R
M16×1.5	5-10	25	10	20	GC-M1610NRL-EMC-R
M16×1.5	3-7	25	10	20	GC-M1607NRL-EMC-R
M20×1.5	6-12	28	10	24	GC-M2012NRL-EMC-R
M20×1.5	5-9	28	10	24	GC-M2009NRL-EMC-R
M20×1.5	10-14	28	10	24	GC-M2014NRL-EMC-R
M20×1.5	7-12	28	10	24	GC-M2012NRL-EMC-R
M25×1.5	13-18	30	12	30	GC-M2518NRL-EMC-R
M25×1.5	9-16	30	12	30	GC-M2516NRL-EMC-R
M32×1.5	18-21	36	12	34	GC-M3221NRL-EMC-R
M32×1.5	13-20	36	12	34	GC-M3220NRL-EMC-R
M40×1.5	20-28	39	15	50	GC-M3228NRL-EMC-R
M40×1.5	18-26	39	15	50	GC-M3226NRL-EMC-R
M50×1.5	30-35.5	41	15	57	GC-M3235NRL-EMC-R
M50×1.5	25-31	41	15	57	GC-M3231NRL-EMC-R



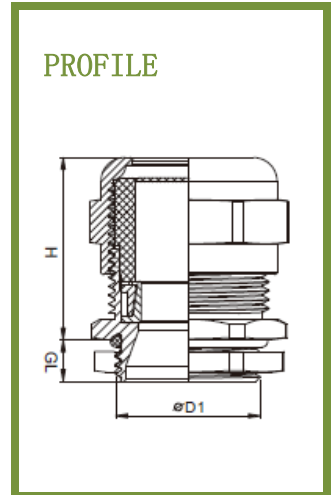
PG型屏蔽金属电缆固定头 R型

PG EMC Metal Cable Gland-R Type

→ PG



材料:	镀镍黄铜	Material:	Nickel-plated brass
固定连接组件:	采用UL认可的尼龙材料	Fixture pack:	PA(NYLON),UL94V-2
防水圈:	丁腈橡胶,(可定制耐候橡胶)	Hermetic seal:	NBR,(EPDM Upon Request)
O型圈:	耐候橡胶	O-Ring:	EPDM
保护等级:	IP68-10 压力(旋转位置)	Protection degree:	IP68-10 pressure (Rotary position)
工作温度:	-40℃至100℃ 或瞬间可耐热至120℃	Working temperature:	-40℃ to 100℃ Instantaneous heat resistance up to 120℃



Thread $\Phi D1$	线径 mm	H mm	GL mm	扳手 mm	GC No.
PG7	3-6.5	23	6.5	17	GC-P707NR-EMC-R
PG7	2-5	23	6.5	17	GC-P705NR-EMC-R
PG9	4-8	25	6	20	GC-P908NR-EMC-R
PG9	2-6	25	6	20	GC-P906NR-EMC-R
PG11	5-10	25	6	20	GC-P1110NR-EMC-R
PG11	3-7	25	6	20	GC-P1107NR-EMC-R
PG13.5	6-12	28	6	24	GC-P13512NR-EMC-R
PG13.5	5-9	28	6	24	GC-P13509NR-EMC-R
PG16	10-14	28	6	24	GC-P1614NR-EMC-R
PG16	7-12	28	6	24	GC-P1612NR-EMC-R
PG21	13-18	30	7	30	GC-P2118NR-EMC-R
PG21	9-16	30	7	30	GC-P2116NR-EMC-R
PG29	18-21	36	8	34	GC-P2921NR-EMC-R
PG29	13-20	36	8	34	GC-P2920NR-EMC-R
PG36	20-28	39	8	50	GC-P3628NR-EMC-R
PG36	18-26	39	8	50	GC-P3626NR-EMC-R
PG42	20-35.5	41	9	57	GC-P4235NR-EMC-R
PG42	25-31	41	9	57	GC-P4231NR-EMC-R



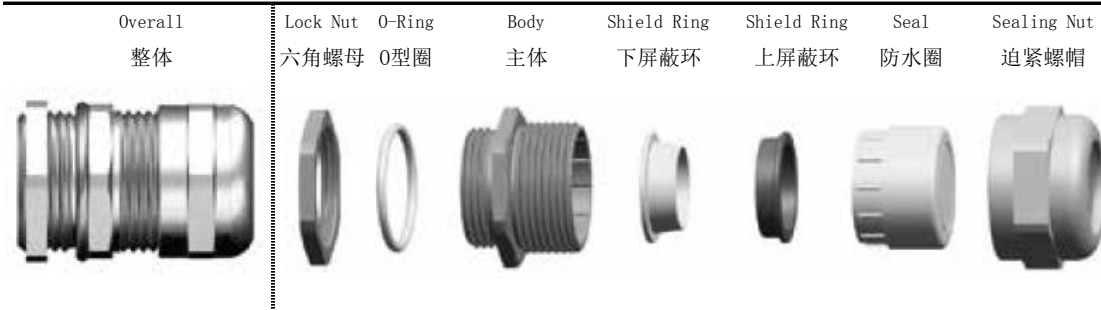
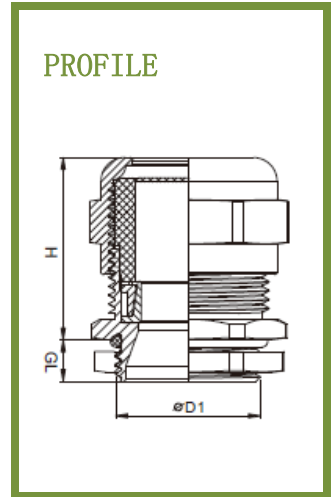
PG加长型屏蔽金属电缆固定头 R型

PG-Length EMC Metal Cable Gland-R Type

→ PG-Length



材料:	镀镍黄铜	Material:	Nickel-plated brass
固定连接组件:	采用UL认可的尼龙材料	Fixture pack:	PA(NYLON),UL94V-2
防水圈:	丁腈橡胶,(可定制耐候橡胶)	Hermetic seal:	NBR,(EPDM Upon Request)
O型圈:	耐候橡胶	O-Ring:	EPDM
保护等级:	IP68-10 压力(旋转位置)	Protection degree:	IP68-10 pressure (Rotary position)
工作温度:	-40℃至100℃ 或瞬间可耐热至120℃	Working temperature:	-40℃ to 100℃ Instantaneous heat resistance up to 120℃



Thread ΦD1	线径 mm	H mm	GL mm	扳手 mm	GC No.
PG7	3-6.5	23	10	17	GC-P707NRL-EMC-R
PG7	2-5	23	10	17	GC-P705NRL-EMC-R
PG9	4-8	25	10	20	GC-P908NRL-EMC-R
PG9	2-6	25	10	20	GC-P906NRL-EMC-R
PG11	5-10	25	10	20	GC-P1110NRL-EMC-R
PG11	3-7	25	10	20	GC-P1107NRL-EMC-R
PG13.5	6-12	28	10	24	GC-P13512NRL-EMC-R
PG13.5	5-9	28	10	24	GC-P13509NRL-EMC-R
PG16	10-14	28	10	24	GC-P1614NRL-EMC-R
PG16	7-12	28	10	24	GC-P1612NRL-EMC-R
PG21	13-18	30	12	30	GC-P2118NRL-EMC-R
PG21	9-16	30	12	30	GC-P2116NRL-EMC-R
PG29	18-21	36	12	34	GC-P2921NRL-EMC-R
PG29	13-20	36	12	34	GC-P2920NRL-EMC-R
PG36	20-28	39	15	50	GC-P3628NRL-EMC-R
PG36	18-26	39	15	50	GC-P3626NRL-EMC-R
PG42	20-35.5	41	15	57	GC-P4235NRL-EMC-R
PG42	25-31	41	15	57	GC-P4231NRL-EMC-R



NPT型屏蔽金属电缆固定头 R型

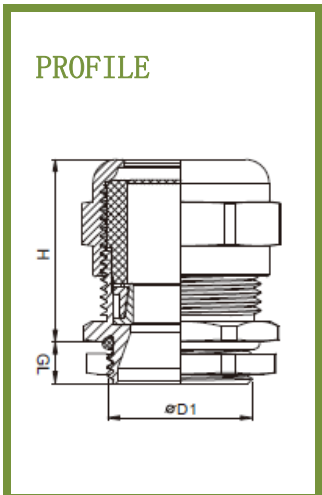
NPT EMC Metal Cable Gland-R Type

→ NPT

CE IP68/IP69K RoHS REACH



材料:	镀镍黄铜	Material:	Nickel-plated brass
固定连接组件:	采用UL认可的尼龙材料	Fixture pack:	PA(NYLON),UL94V-2
防水圈:	丁腈橡胶,(可定制耐候橡胶)	Hermetic seal:	NBR,(EPDM Upon Request)
O型圈:	耐候橡胶	O-Ring:	EPDM
保护等级:	IP68-10 压力(旋转位置)	Protection degree:	IP68-10 pressure (Rotary position)
工作温度:	-40℃至100℃ 或瞬间可耐热至120℃	Working temperature:	-40℃ to 100℃ Instantaneous heat resistance up to 120℃



Thread $\Phi D1$	线径 mm	H mm	GL mm	扳手 mm	GC No.
1/4"NPT	3-6.5	18	13	17	GC-N1407NR-EMC-R
1/4"NPT	2-5	18	13	17	GC-N1405NR-EMC-R
3/8"NPT	5-10	21	15	20	GC-N3810NR-EMC-R
3/8"NPT	3-7	21	15	20	GC-N3807NR-EMC-R
1/2"NPT	10-14	24	13	24	GC-N1214NR-EMC-R
1/2"NPT	7-12	24	13	24	GC-N1212NR-EMC-R
3/4"NPT	13-18	25	13	30	GC-N3418NR-EMC-R
3/4"NPT	9-16	25	13	30	GC-N3416NR-EMC-R
1"NPT	18-21	29	15	40	GC-N10021NR-EMC-R
1"NPT	13-20	29	15	40	GC-N10020NR-EMC-R
1 1/4"NPT	18-21	31	17	44	GC-N11421NR-EMC-R
1 1/4"NPT	13-20	31	17	44	GC-N11420NR-EMC-R
1 1/2"NPT	20-28	37	20	50	GC-N11228NR-EMC-R
1 1/2"NPT	18-26	37	20	50	GC-N11226NR-EMC-R
2"NPT	30-35.5	40	21	64	GC-N20035NR-EMC-R
2"NPT	25-31	40	21	64	GC-N20031NR-EMC-R



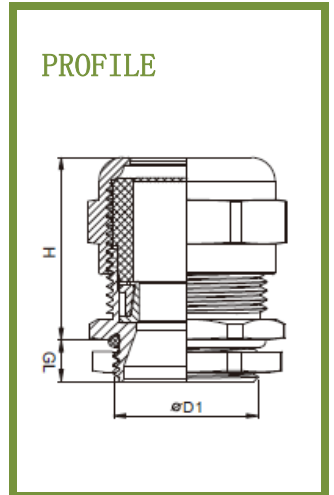
G (PF) 型屏蔽金属电缆固定头 R型

G (PF) EMC Metal Cable Gland-R Type

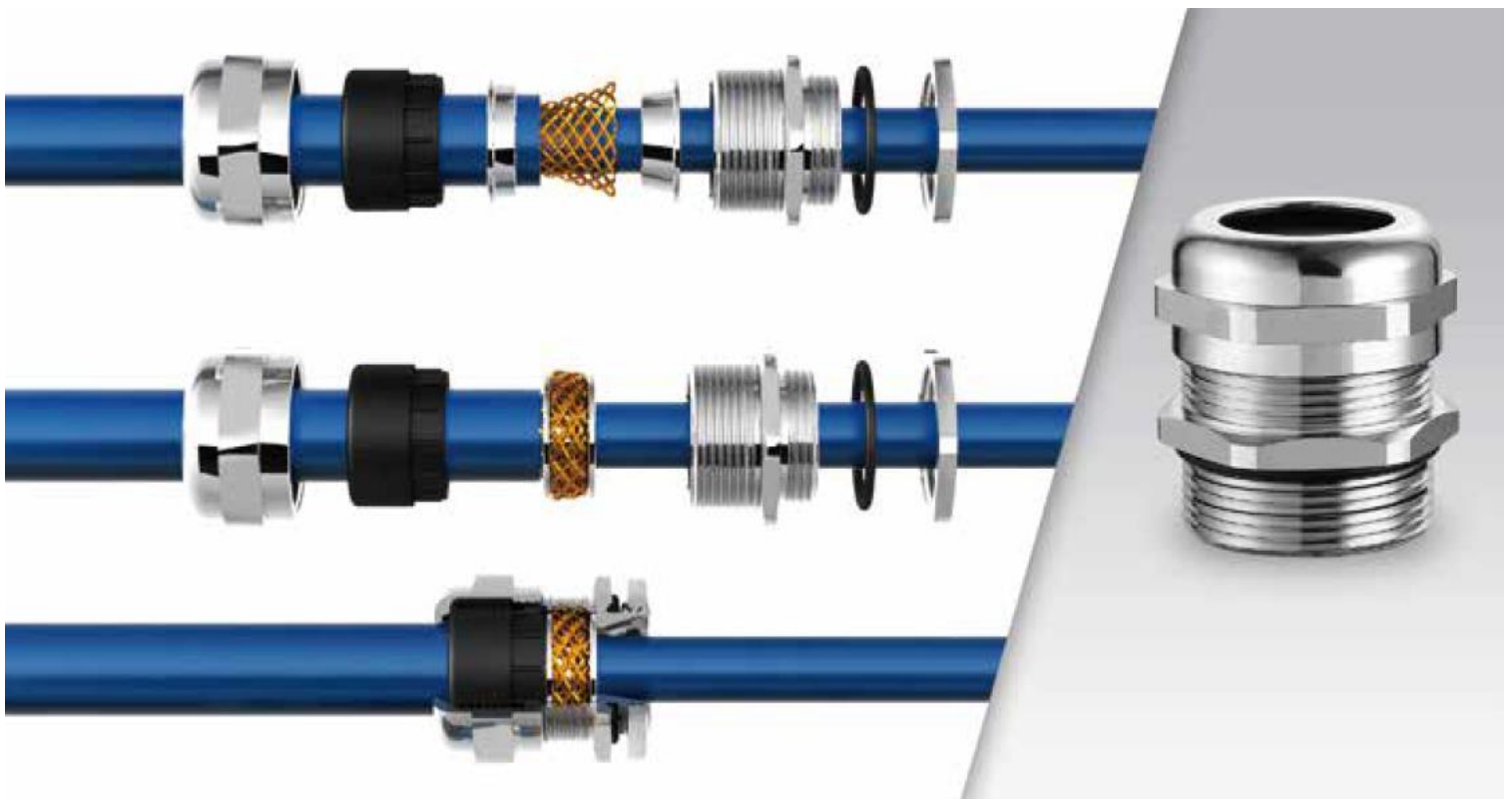
→ G (PF)



材料:	镀镍黄铜	Material:	Nickel-plated brass
固定连接组件:	采用UL认可的尼龙材料	Fixture pack:	PA(NYLON),UL94V-2
防水圈:	丁腈橡胶,(可定制耐候橡胶)	Hermetic seal:	NBR,(EPDM Upon Request)
O型圈:	耐候橡胶	O-Ring:	EPDM
保护等级:	IP68-10 压力(旋转位置)	Protection degree:	IP68-10 pressure (Rotary position)
工作温度:	-40℃至100℃ 或瞬间可耐热至120℃	Working temperature:	-40℃ to 100℃ Instantaneous heat resistance up to 120℃



Thread $\Phi D1$	线径 mm	H mm	GL mm	扳手 mm	GC No.
G (PF) 1/4"	3-6.5	23	8	14	GC-G1407NR-EMC-R
G (PF) 1/4"	2-5	23	8	14	GC-G1405NR-EMC-R
G (PF) 3/8"	5-10	25	9	20	GC-G3810NR-EMC-R
G (PF) 3/8"	3-7	25	9	20	GC-G3807NR-EMC-R
G (PF) 1/2"	10-14	28	9	24	GC-G1214NR-EMC-R
G (PF) 1/2"	7-12	28	9	24	GC-G1212NR-EMC-R
G (PF) 3/4"	13-18	30	12	30	GC-G3418NR-EMC-R
G (PF) 3/4"	9-16	30	12	30	GC-G3416NR-EMC-R
G (PF) 1"	18-21	36	12	40	GC-G10021NR-EMC-R
G (PF) 1"	13-20	36	12	40	GC-G10020NR-EMC-R
G (PF) 1 1/4"	20-28	39	15	50	GC-G11428NR-EMC-R
G (PF) 1 1/4"	18-26	39	15	50	GC-G11426NR-EMC-R
G (PF) 1 1/2"	30-35.5	41	15	57	GC-G11235NR-EMC-R
G (PF) 1 1/2"	25-31	41	15	57	GC-G11231NR-EMC-R
G (PF) 2"	37-44	50	15	64	GC-G20044NR-EMC-R
G (PF) 2"	29-35	50	15	64	GC-G20035NR-EMC-R



大锁紧范围金属电缆固定头

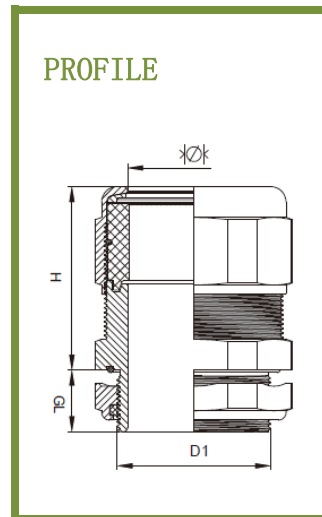
Metal Cable Glands With Wide Clamping Range

→ M/PG

UL95 IP68 RoHS REACH



材料:	镀镍黄铜	Material:	Nickel-plated brass
防水圈:	丁腈橡胶, (可定制耐候橡胶)	Hermetic seal:	NBR, (EPDM Upon Request)
O型圈:	耐候橡胶	O-Ring:	EPDM
保护等级:	IP68	Protection degree:	IP68
工作温度:	-40℃至100℃ 或瞬间可耐热至120℃	Working temperature:	-40℃ to 100℃ Instantaneous heat resistance up to 120℃



Thread ΦD1	线径 mm	H mm	GL mm	扳手 mm	GC No.
M20×1.5	10-16	25	10	24	GC-M2016NR-WCR
M25×1.5	13-20	30	10	30	GC-M2520NR-WCR
M32×1.5	17-27	50	15	40	GC-M3227NR-WCR
M40×1.5	22-34	50	15	50	GC-M4034NR-WCR
M50×1.5	26-42.3	60	20	60	GC-M5043NR-WCR
M63×1.5	35-50	60	20	68	GC-M6350NR-WCR
PG16	10-16	25	10	24	GC-P1616NR-WCR
PG21	13-20	30	10	30	GC-P2120NR-WCR
PG29	17-27	50	15	40	GC-P2927NR-WCR
PG36	22-34	50	15	50	GC-P3634NR-WCR
PG42	26-42.3	60	20	60	GC-P4243NR-WCR
PG48	35-50	60	20	68	GC-P4850NR-WCR



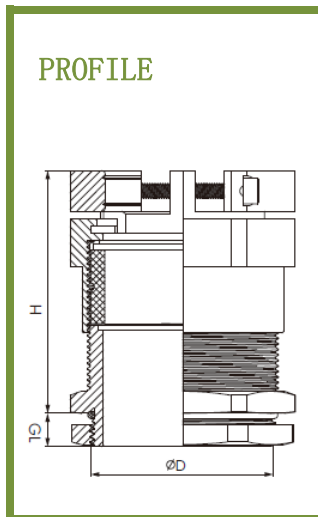
双锁紧金属电缆固定头

Brass Cable Glands With Centric Strain Relief

→ M/PG



材料:	镀镍黄铜	Material:	Nickel-plated brass
防水圈:	耐候橡胶, 硅胶	Hermetic seal:	NBR, Silicone
O型圈:	耐候橡胶	O-Ring:	EPDM
保护等级:	IP68 在夹紧范围内	Protection degree:	IP68 within damping range
工作温度:	-40℃至100℃	Working temperature:	-40℃ to 100℃



Thread ΦD1	线径 mm	H mm	GL mm	扳手 mm	GC No.
M12	3-6.5	26	6.5	14	GC-M1207NR-CSR
M16	5-10	29	6	20	GC-M1610NR-CSR
M20	10-16	35	10	24	GC-M2016NR-CSR
M25	13-20	40	10	30	GC-M2520NR-CSR
M32	17-27	60	15	40	GC-M3227NR-CSR
M40	22-34	65	15	50	GC-M4034NR-CSR
M50	26-42.3	75	20	60	GC-M5043NR-CSR
M63	35-50	75	20	68	GC-M6350NR-CSR
PG7	3-6.5	26	6.5	14	GC-P0707NR-CSR
PG11	5-10	29	6	20	GC-P1110NR-CSR
PG16	10-16	35	10	24	GC-P1616NR-CSR
PG21	13-20	40	10	30	GC-P2120NR-CSR
PG29	17-27	60	15	40	GC-P2927NR-CSR
PG36	22-34	65	15	50	GC-P3634NR-CSR
PG42	26-42.3	75	20	60	GC-P4243NR-CSR
PG48	35-50	75	20	68	GC-P4850NR-CSR



工具

Tool-SS0-Type



表面处理: 镀镍, 手柄防滑

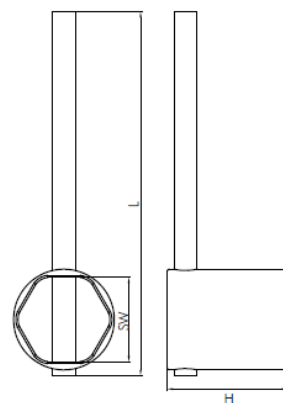
应用领域: 适用工厂生产组装,
固定主体与六角。

Surface Treatment: Nickel Plating, Anti-slip Handle

Application: For fixing body and lock nut tightly
in assembly workshop.

Thread	SW mm	H mm	L mm	φD mm	h mm	GC No.
M20/PG16	24	50	190	5	6	GC-T-SS0 24
M25/PG21	30	55	200	5	6	GC-T-SS0 30
M32/PG29	40	75	210	5	6	GC-T-SS0 40
M40/PG36	50	75	250	5	6	GC-T-SS0 50
M50/PG42	60	86	260	5	6	GC-T-SS0 60
M63/PG48	68	86	270	5	6	GC-T-SS0 68

PROFILE



工具

Tool-RS0-Type



表面处理: 镀镍, 手柄防滑

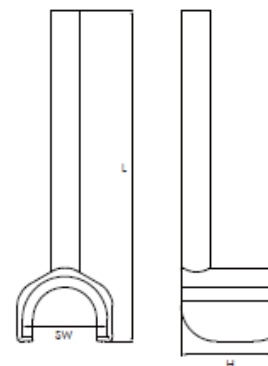
应用领域: 应用于施工现场: 迫帽固定
(锁紧) 电缆使用。

Surface Treatment: Nickel Plating, Anti-slip Handle

Application: For fixing the sealing nut tightly on
construction site.

Thread	SW mm	H mm	L mm	φD mm	h mm	GC No.
M20/PG16	24	30	180	5	6	GC-T-RS0 24
M25/PG21	30	35	185	5	6	GC-T-RS0 30
M32/PG29	40	55	2020	5	6	GC-T-RS0 40
M40/PG36	50	55	220	5	6	GC-T-RS0 50
M50/PG42	60	66	230	5	6	GC-T-RS0 60
M63/PG48	68	66	230	5	6	GC-T-RS0 68

PROFILE



PA换气堵头

PA Ventilation Plug

→ M

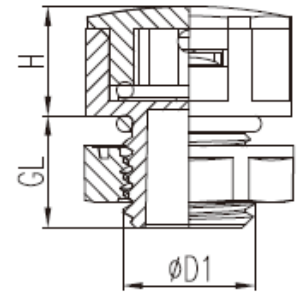
CE P67/P68 RoHS REACH

材料: PA	Material: PA
O型圈: 耐候橡胶、硅胶	O-Ring: EPDM、Silicone
工作温度: -40℃至100℃	Working temperature: -40℃ to 100℃
防水等级: IP67/IP68	IP rating: IP67/68
防腐等级: PH: 1-14	Anti-corrosion: PH: 1-14
阻燃等级: UL 94 V2 (V0可定制)	Flame Retardancy: UL 94 V2 (V0 upon request)
应用领域: 电子电器、通讯设备、户外灯具等领域。	Application: Electronic appliances, communication apparatus, outdoor lighting, etc.
颜色种类: 灰色、黑色, 其他颜色可定	Color: Grey, Black, other colors customized

Thread ΦD1	H mm	GL mm	SW mm	GC No. grey	GC No. black
M6×0.8	8	6.5	12	GC-M6-VP	GC-M6-VPB
M8×1.0	10	8	17	GC-M8-VP	GC-M8-VPB
M10×1.0	10	8	17	GC-M10-VP	GC-M10-VPB
M12×1.5	10	10	17	GC-M12-VP	GC-M12-VPB



PROFILE



铝质换气堵头

Aluminum Ventilation Plug

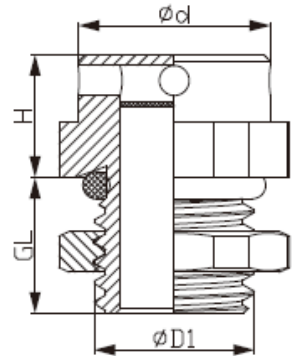
→ M

CE P67/P68 RoHS REACH

材料: 铝	Material: Aluminum
O型圈: 丁腈橡胶	O-Ring: NBR
工作温度: -40℃至125℃	Working temperature: -40℃ to 125℃
防水等级: IP67/68	IP rating: IP67/68
防腐等级: PH: 1-14	Anti-corrosion: PH: 1-14
阻燃等级: UL 94 V0	Flame Retardancy: UL 94 V0
应用领域: 太阳能光伏、电子电器、通讯设备、户外灯具等领域	Application: Solar photovoltaic industry, electronic appliances, communication apparatus, outdoor lighting, etc.
颜色种类: 白色、黑色	Color: White, Black

Thread ΦD1	H mm	GL mm	d mm	SW mm	GC No. grey	GC No. black
M5×0.8	6	4	7.5	8	GC-M5-VPAL	GC-M5-VPALB
M6×1.0	6	4	7.5	8	GC-M6-VPAL	GC-M6-VPALB
M8×1.25	9	10	14.2	16	GC-M8-VPAL	GC-M8-VPALB
M12×1.5	9	10	14.2	16	GC-M12-VPAL	GC-M12-VPALPB
M20×1.5	12.5	12.5	26	27	GC-M20-VPAL	GC-M20-VPALB

PROFILE



不锈钢换气堵头

Stainless Steel Ventilation Plug

→ M

CE IP67/IP68 RoHS REACH

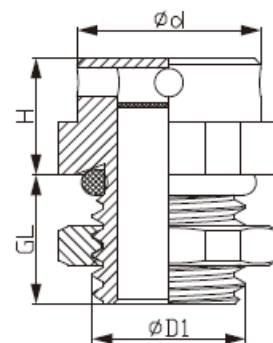
材料: 不锈钢
 O型圈: 丁腈橡胶
 工作温度: -40℃至125℃
 防水等级: IP67/68
 防腐等级: PH: 1-14
 阻燃等级: UL 94 V0
 产品优点: 高效防腐防水透气; 憎水、憎油处理更有利于长期有效透气; 不锈钢外壳, 通用各种环境恶劣的化工场所, 海水船舶或者温度较高、日照时间长的室外; 透气膜与外壳通过特殊工艺结合为一体, 具有性能稳定、体积小、安装方便、使用寿命长等特性
 应用领域: 化工场所、太阳能光伏、电子电器、通讯设备、户外灯具等行业

Material: Stainless steel
 O-Ring: NBR
 Working temperature: -40℃ to 125℃
 IP rating: IP67/68
 Anti-corrosion: PH: 1-14
 Flame Retardancy: UL 94 V0
 Advantages: Highly efficient ventilation, dust and water proof. Hydrophobic and oleophobic processing is perfect for achieving better long-term ventilation function. The ventilation membrane and shell are integrated by special process. It has the feature of stability, small volume, easy installation, durability, etc.
 Application: Chemical industry, solar photovoltaic industry, electronic appliances, communication apparatus, outdoor lighting, etc.

Thread ΦD1	H mm	GL mm	d mm	SW mm	GC No.
M5×0.8	6	4	7.5	8	GC-M5-VPH
M12×1.5	8	7	14.2	16	GC-M12-VPH



PROFILE



铜质换气堵头

Brass Ventilation Plug

→ M

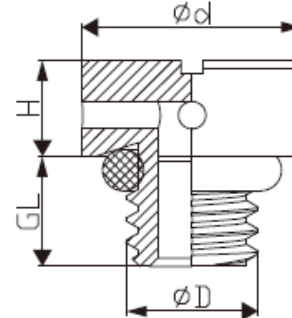
CE IP67/IP68 RoHS REACH

材料: 铜
 O型圈: 丁腈橡胶
 工作温度: -40℃至125℃
 防水等级: IP67/68
 防腐等级: PH: 1-14
 阻燃等级: UL 94 V0
 产品优点: 憎水、憎油处理更有利于长期有效透气; 结构小巧、螺纹式和一字型迫帽设计安装方便确保使用过程中不会脱落; 黄铜外壳, 坚硬、耐腐蚀, 确保了产品极佳的使用寿命
 应用领域: 太阳能光伏、电子电器、通信设备、户外灯具等行业;

Material: Brass
 O-Ring: NBR
 Working temperature: -40℃ to 125℃
 IP rating: IP67/68
 Anti-corrosion: PH: 1-14
 Flame Retardancy: UL 94 V0
 Advantages: Hydrophobic and oleophobic processing is perfect for achieving better long-term ventilation function. It has the feature of stability, small volume, easy installation, durability, etc.
 Application: Solar photovoltaic industry, electronic appliances, communication apparatus, outdoor lighting, etc.

Thread ΦD1	H mm	GL mm	d mm	GC No.
M5×0.8	3.5	4	8	GC-M5-VPBR

PROFILE



PG型/M型/G (PF) 型圆形堵塞件

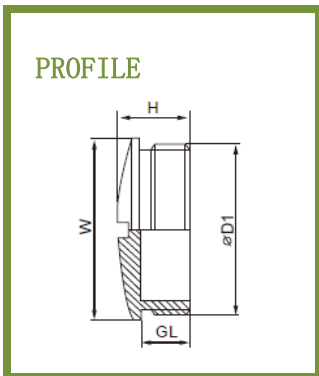
PG Type/M Type/G(PF) Type Nylon Screw Plugs

→ PG/M/G(PF)

CE IP68 RoHS



材料:	采用UL认可的尼龙材料	Material:	PA (NYLON) ,UL 94 V-2
保护等级:	IP68	Protection degree:	IP68
工作温度:	静态-40° C至100° C 动态-20° C至80° C	Working temperature:	-40 °C to 100 °C in static state -20 °C to 80 °C in dynamic state
颜色种类:	灰色、黑色, 其他颜色可定做	Color:	Grey,Black, other colors customized.



Thread	GL	H	W	GC No.	GC No.
ΦD1	mm	mm	mm	grey	black
PG7	8.5	12.5	15	GC-SPP0709	GC-SPP0709B
PG9	8.5	13	19	GC-SPP0909	GC-SPP0909B
PG11	9	13	22	GC-SPP1109	GC-SPP1109B
PG13.5	9	13	25	GC-SPP1309	GC-SPP1309B
PG16	10.5	15	27	GC-SPP1611	GC-SPP1611B
PG21	10.5	15.5	33	GC-SPP2111	GC-SPP2111B
PG29	11.5	16	44	GC-SPP2912	GC-SPP2912B
PG36	13.5	18	55	GC-SPP3614	GC-SPP3614B
PG42	13.5	18.5	62	GC-SPP4214	GC-SPP4214B
PG48	14.5	19.5	68	GC-SPP4815	GC-SPP4815B
M12	8.5	12.5	15	GC-SPM1209	GC-SPM1209B
M16	8.5	13	19	GC-SPM1609	GC-SPM1609B
M20	9	13	25	GC-SPM2009	GC-SPM2009B
M25	10.5	15.5	30	GC-SPM2511	GC-SPM2511B
M32	10.5	16	38	GC-SPM3211	GC-SPM3211B
M40	11.5	16	46	GC-SPM4012	GC-SPM4012B
M50	13.5	18	56	GC-SPM5014	GC-SPM5014B
M63	14	19	68	GC-SPM6314	GC-SPM6314B
G (PF) 1/4	6.5	10.5	17	GC-SPG1407	GC-SPG1407B
G (PF) 3/8	8	12.4	20.5	GC-SPG3808	GC-SPG3808B
G (PF) 1/2	8	12	26	GC-SPG1208	GC-SPG1208B
G (PF) 3/4	10	15	32	GC-SPG3410	GC-SPG3410B
G (PF) 1	12	17.5	40	GC-SPG10012	GC-SPG10012B
G (PF) 1 1/4	13	17.5	49	GC-SPG11413	GC-SPG11413B



PG型金属圆形堵塞件

PG Type Metal Screw plugs

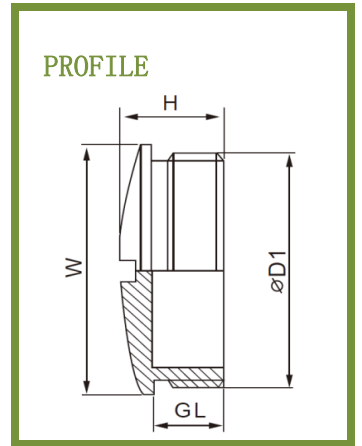
→ PG

CE IP68 RoHS



材料: 镀镍黄铜 Material: Nickel-plated brass
 保护等级: IP54, IP68 Protection degree: IP54, IP68
 O型圈: 丁腈橡胶 O-Ring: NBR
 工作温度: -40° C至100° C Working temperature: -40 °C to 100 °C

Thread ΦD1	GL mm	H mm	W mm	GC No.
PG7	5	8	14	GC-SPP0705NR
PG9	6	9	17	GC-SPP0906NR
PG11	6	9	21	GC-SPP1106NR
PG13.5	7	10	23	GC-SPP1307NR
PG16	6.5	10	25	GC-SPP1607NR
PG21	7	11	30	GC-SPP2107NR
PG29	8	12	39	GC-SPP2908NR
PG36	9	15	50	GC-SPP3609NR
PG42	10	16	57	GC-SPP4210NR
PG48	10	16	64	GC-SPP4810NR



M型金属圆形堵塞件

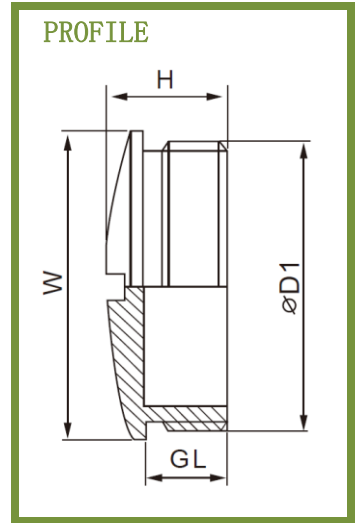
M Type Metal Screw Plugs

→ M

CE IP68 RoHS

材料: 镀镍黄铜 Material: Nickel-plated brass
 保护等级: IP54, IP68 Protection degree: IP54, IP68
 O型圈: 丁腈橡胶 O-Ring: NBR
 工作温度: -40° C至100° C Working temperature: -40 °C to 100 °C

Thread ΦD1	GL mm	H mm	W mm	GC No.
M12×1.5	5	8	14	GC-SPM1205NR
M16×1.5	6	9	18	GC-SPM1606NR
M20×1.5	6.5	9.5	22	GC-SPM2007NR
M25×1.5	7	11	28	GC-SPM2507NR
M32×1.5	8	12	35	GC-SPM3208NR
M40×1.5	9	15	44	GC-SPM4009NR
M50×1.5	10	16	54	GC-SPM5010NR
M63×1.5	10	16	70	GC-SPM6310NR



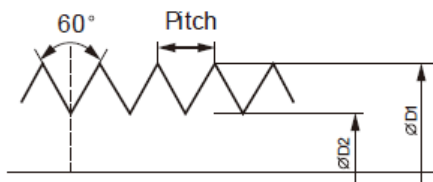
→ International Protection, EN 60529

1. Code		2. Code	Protection of water								
Protection against human access to hazardous parts	Protection of equipment against penetration of solid foreign objects		Non-protected	Protection against dripping water	Protection against vertically falling water drops when device is tilted up to 15°	Water sprayed at an angle up to 60° on either side of the vertical shall have no harmful effects	Water splashed from any direction shall have no harmful effects	Water projected in Powerful jets from any direction shall have no harmful effects	Water projected in Powerful jets from any direction shall have no harmful effects	Protection against temporary submersion	Protection against permanent submersion
			IP x 0	IP x 1	IP x 2	IP x 3	IP x 4	IP x 5	IP x 6	IP x 7	IP x 8
Non-protected	Non-protected	IP 0 x	IP 00								
Protected against access to hazardous parts with the back of the hand	Protected against solid foreign objects larger in diameter than 50mm	IP 1 x	IP 10	IP 11	IP 12						
Protected against access to hazardous parts with a finger	Protected against solid foreign objects larger in diameter than 12,5mm	IP 2 x	IP 20	IP 21	IP 22	IP 23					
Protected against access to hazardous parts with a tool larger in diameter than 25mm	Protected against solid foreign objects larger in diameter than 2,5mm	IP 3 x	IP 30	IP 31	IP 32	IP 33	IP 34				
Protected against access to hazardous parts with a wire larger in diameter than 1,0mm	Protected against solid foreign objects larger in diameter than 1mm	IP 4 x	IP 40	IP 41	IP 42	IP 43	IP 44				
Protected against access to hazardous parts with a wire larger in diameter than 1,0mm	Prevents penetration of dust sufficient to cause damage inside the equipment	IP 5 x	IP 50	IP 51	IP 52	IP 53	IP 54	IP 55			
Protected against access to hazardous parts with a wire larger in diameter than 1,0mm	Dust proof	IP 6 x	IP 60	IP 61	IP 62	IP 63	IP 64	IP 65	IP 66	IP 67	IP 68

Product Material Abbreviations

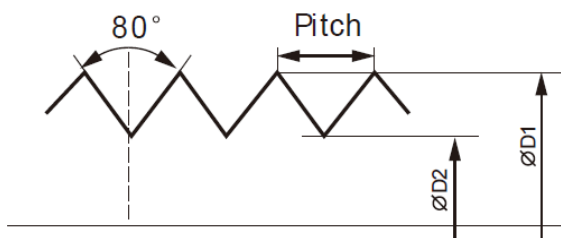
CR Chloroprene rubber	PP Polypropylene
FPM Fluorelastomer	PVC Polyvinylchloride
Ms Nickel plated brass	PVDF Polyvinylidenfluoride
NBR Buna-N	SB Styrene Butadiene
PA Polyamide	VMQ Silicone
PE Polyethylene	

→ Metric ISO Thread Specifications



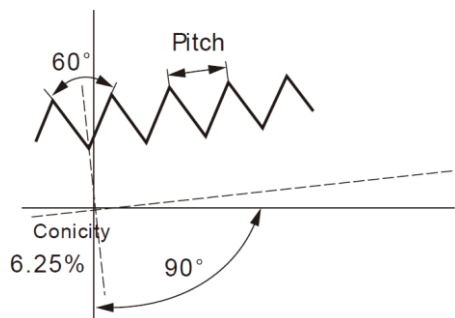
Size	Pitch mm	Outside (ΦD1) mm	Inside (ΦD2) mm	Thru-hole mm
M12×1.5	1.5	12	10.13	12.2
M16×1.5	1.5	16	14.13	16.2
M20×1.5	1.5	20	18.13	20.2
M25×1.5	1.5	25	23.13	25.2
M32×1.5	1.5	32	30.13	32.2
M40×1.5	1.5	40	38.13	40.2
M50×1.5	1.5	50	48.13	50.2
M63×1.5	1.5	63	61.13	63.2

PG Thread Specifications



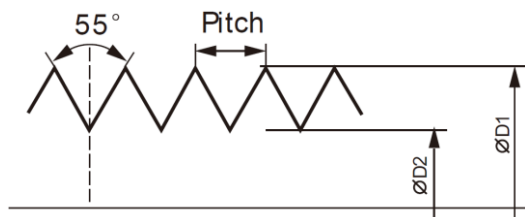
Size	Pitch mm	Outside (ΦD1) mm	Inside (ΦD2) mm	Thru-hole mm
PG7	1.270	12.5	11.28	12.7
PG9	1.410	15.2	13.86	15.4
PG11	1.410	18.6	17.26	18.8
PG13.5	1.410	20.4	19.06	20.7
PG16	1.410	22.5	21.16	22.8
PG21	1.588	28.3	26.78	28.6
PG29	1.588	37.0	35.48	37.4
PG36	1.588	47.0	45.48	47.5
PG42	1.588	54.0	52.48	54.5
PG48	1.588	59.3	57.78	59.8

NPT Thread Specifications



Size	Pitch mm	Outside (ΦD) mm	of pitches n	Thru-hole mm
1/4"NPT	1.411	13.716	18	
3/8"NPT	1.411	17.145	18	
1/2"NPT	1.814	21.336	14	
3/4"NPT	1.814	26.67	14	
1"NPT	2.208	33.4	11 1/2	
1 1/4"NPT	2.208	42.164	11 1/2	
1 1/2"NPT	2.208	48.26	11 1/2	
2"NPT	2.208	60.325	11 1/2	
2 1/2"NPT	3.175	73.025	8	
3"NPT	3.175	88.9	8	
3 1/2"NPT	3.175	101.6	8	

British G(PF) Thread Specifications



Size	Pitch mm	Outside (ΦD1) mm	Inside (ΦD2) mm	Thru-hole mm
G (PF) 1/4"	1.337	13.157	11.145	13.4
G (PF) 3/8"	1.337	16.662	14.950	17.0
G (PF) 1/2"	1.814	20.955	18.631	21.3
G (PF) 3/4"	1.814	26.441	24.117	26.8
G (PF) 1"	2.309	33.249	30.391	33.7
G (PF) 1 1/4"	2.309	41.910	38.952	42.4
G (PF) 1 1/2"	2.309	47.803	44.845	48.3
G (PF) 2"	2.309	59.614	56.656	60.2
G (PF) 2 1/2"	2.309	75.184	72.226	75.7
G (PF) 3"	2.309	87.884	84.926	88.5
G (PF) 3 1/2"	2.309	100.330	97.372	101.0
G (PF) 4"	2.309	113.030	110.072	114.0

各种金属材料特性与表面处理

Properties and Surface Treatment for Various Metal Materials



→		
名称牌号	材料特性	应用
PA6	根据产品的特性要求添加玻纤含量在5-60%的范围，这类材料具有很好的强度、耐热性能、优良的抗冲击性能、良好的尺寸稳定性及低翘曲性等。	广泛应用于机械、仪器仪表、电子电气、线路、家电、通讯等电气工程。
尼龙 PA66	具有优良的耐磨性、自润滑性，机械强度较高。	
PA6/ PA66+GF	根据产品的特性要求添加玻纤含量在5-60%的范围，这类材料具有很好的强度、耐热性能、优良的抗冲击性能、良好的尺寸稳定性及低翘曲性等。	
黄铜 H59	黄铜的机械性能与其含锌量有关；H5黄铜耐腐蚀能力较好；具有高强度、硬度以及良好的塑性，对于一般的腐蚀有良好的稳定性。	广泛应用于轻工业、仪器、仪表中，在电气工程领域中使用较多。（表面镀镍处理，能提高产品的防腐蚀性能）
铝 6061-T6	具有加工性能极佳、优良的焊接特点及电镀性、良好的抗腐蚀性、韧性高及加工后不变形、材料致密无缺陷及易于抛光、上色膜容易、氧化效果极佳等优良特点。	6061铝其用途包括：航天固定装置、电器固定装置、光伏、通讯领域，也广泛应用于自动化机械零件、精密加工等。

密封材料的选用

Selection of sealing materials



名称牌号	材料特性	应用
NBR 丁腈橡胶	丁腈橡胶是由丙烯和丙烯腈经乳液聚合得的，丁腈橡胶主要采用低温乳液聚合法生产，耐油性极好，耐磨性较高，耐热性较好，粘接力强。其缺点是耐低温性差、耐臭氧性差，电性能低劣，弹性稍低。	丁腈橡胶主要用于制作耐油制品，如耐油管、胶带等，常用于制作各类耐油模型制品，如O型圈、油封、也用于制作胶板和耐磨零件。
EPDM 三元乙丙橡胶	三元乙丙橡胶最主要的特性就是其优越的耐氧化、抗氧化和抗侵蚀的能力。耐老化性能非常好、耐气候性好、电绝缘性能优良、耐化学腐蚀性好、冲击弹性较好。	主要应用于要求耐老化、耐水、耐腐蚀、电气绝缘的领域，如用于轮胎的浅色胎侧、汽车内胎、电缆、电线、门窗密封条、家用电器配件等。
硅橡胶	<ol style="list-style-type: none">1. 高温性能：在200° C以上的高温环境下，硅橡胶仍能保持一定的柔韧性、回弹性和表面硬度，且力学性能无明显变化。2. 低温性能：硅橡胶的玻璃化温度为-70至50° C，特殊配方可达到-100° C。3. 电气性能：硅橡胶具有优异的绝缘性能，耐电晕性和耐电弧性好。4. 物理机械性能：硅橡胶常温下的物理机械性能比通用橡胶差，但在150° C的高温和-50° C的低温下，其物理机械性能优于通用橡胶。5. 耐油及化学试剂性：普通硅橡胶具有中等的耐油、耐溶剂性能。	硅橡胶密封件在极限温度及压力下，有良好的通用性。
氟橡胶	<ol style="list-style-type: none">1. 化学稳定性：氟橡胶具有高度的化学稳定性。26型氟橡胶耐石油基油类、双脂类油、硅醚类油、硅酸类油，耐无机酸，耐多数的有机、无机溶剂、药品等。2. 耐高温性优异：氟橡胶的耐高温性能和硅橡胶一样，26型氟橡胶在250° C下可长期使用。3. 耐老化性能好：26型氟橡胶具有极好的耐天候老化性能，耐臭氧性能。在自然存放十年之后性能仍然令人满意。4. 真空性能极佳：26型氟橡胶具有极好的真空性能。5. 机械性能优良：26型氟橡胶在高温下的压缩永久变形小，在150° C下的同等时间的压缩永久变形来比较，丁腈橡胶和氯丁橡胶均比26型氟橡胶要大。6. 透气性小：26型氟橡胶在30° C下对于氧、氮、氦、二氧化碳气体的透气性和丁腈橡胶相当，比氯丁橡胶要好。	垫圈使用：能耐油井酸气，胺基类化合物等多种高浓度强腐蚀性介质应用于化工场所，航天航空的控制和燃料系统的航空液压油、喷气燃料、高温润滑油的密封。应用领域：航天航空、化工、油田、半导体制造。